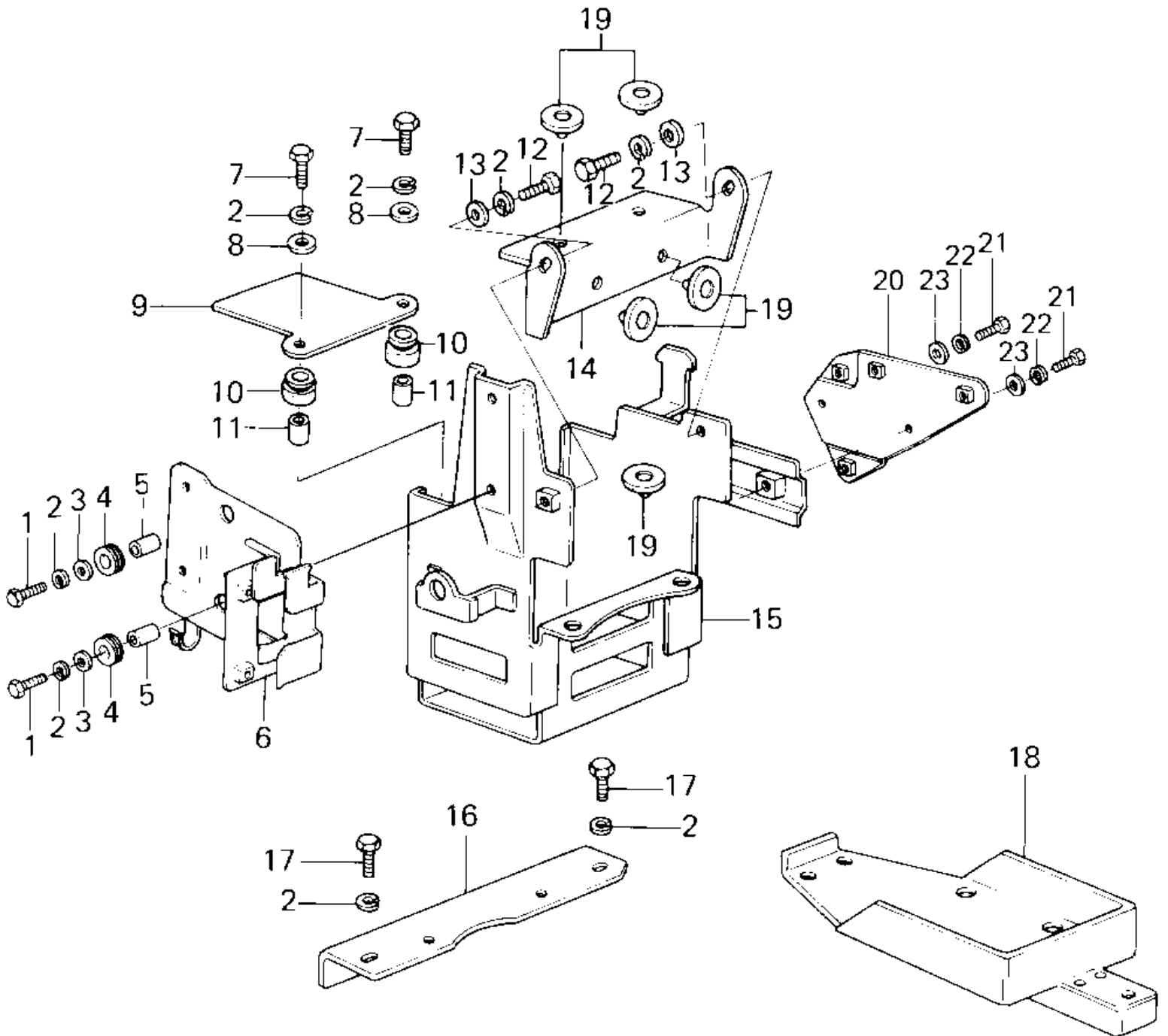


1980 Z1R PARTS DIAGRAM

BATTERY CASE/ELECTRO BRACKET ('80 D3)



1980 Z1R PARTS LIST

BATTERY CASE/ELECTRO BRACKET ('80 D3)

ITEM NAME	PART NUMBER	QUANTITY
BOLT-UPSET,6X20 (Ref # 1)	112G0620	1
WASHER SPRING 6MM (Ref # 2)	461F0600	2
WASHER 6.5X20X1.6T (Ref # 3)	92022-125	1
DAMPER RUBBER (Ref # 4)	92075-149	1
COLLAR (Ref # 5)	92027-165	1
BRACKET,BASE (Ref # 6)	11034-1261	1
BOLT-UPSET (Ref # 7)	112G0630	1
WASHER,6.5X16X2 (Ref # 8)	92022-1565	1
STAY,AIR CLEANER (Ref # 9)	32105-007	1
DAMPER RUBBER,BTT CA (Ref # 10)	92075-146	1
COLLAR 6.8X10X14.5 (Ref # 11)	92027-156	1
BOLT-UPSET,6X12 (Ref # 12)	112G0612	2
WASHER PLAIN 6MM (Ref # 13)	410B0600	2
BAND,BATTERY (Ref # 14)	32100-100	1
CASE,BATTERY (Ref # 15)	32097-1007	1
PLATE,BATTERY CASE (Ref # 16)	13169-1077	1
BOLT-UPSET,6X16 (Ref # 17)	112G0616	1
CASE,TOOL (Ref # 18)	32098-1001	1
DAMPER RUBBER (Ref # 19)	92075-078	1
BRACKET,BASE,R.H (Ref # 20)	11034-1732	1