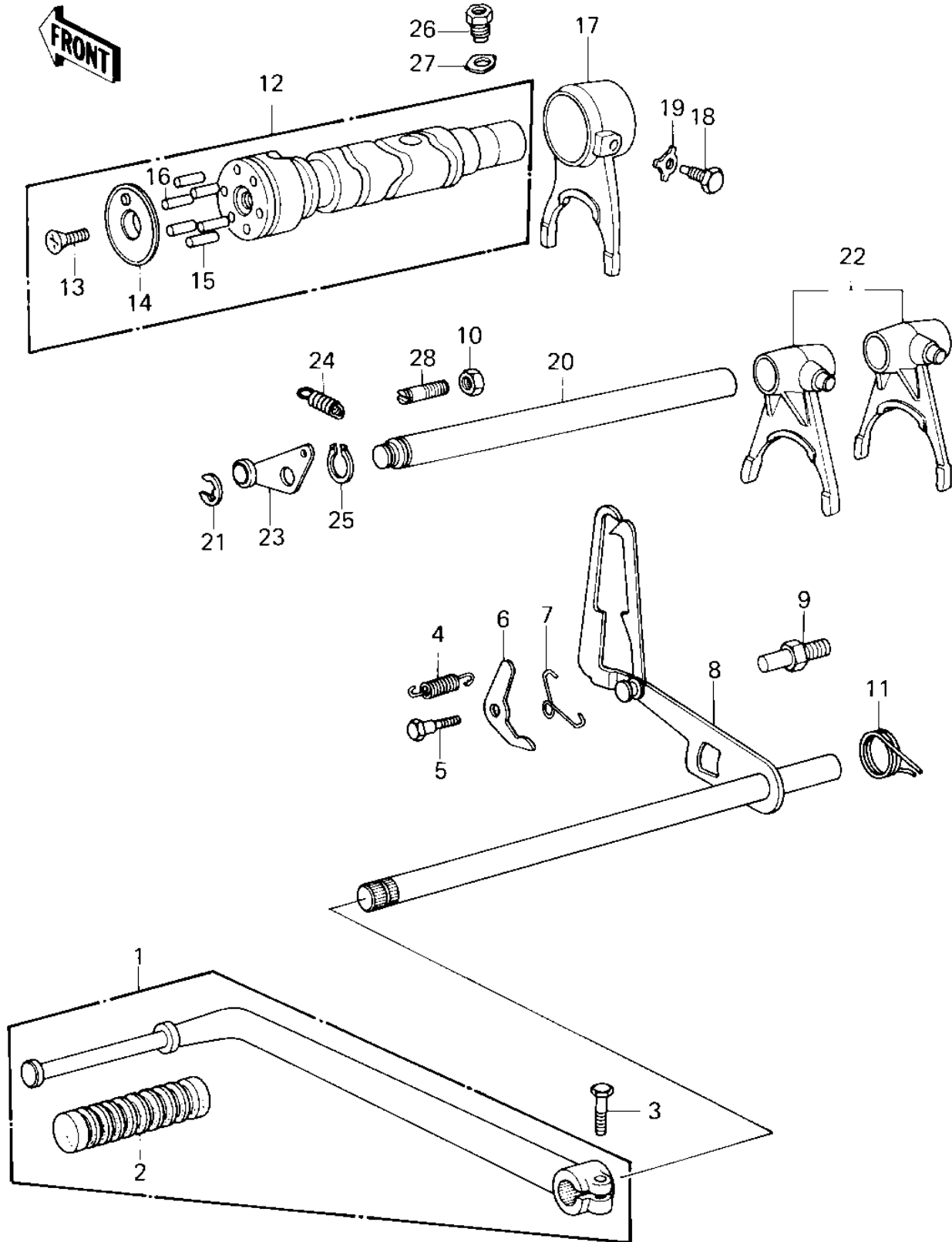


1980 Z1R PARTS DIAGRAM

GEAR CHANGE MECHANISM ('80 D3)



1980 Z1R PARTS LIST

GEAR CHANGE MECHANISM ('80 D3)

ITEM NAME	PART NUMBER	QUANTITY
PEDAL ASSY,GEAR CHAN (Ref # 1)	13242-006	1
RUBBER CHANGE PEDAL (Ref # 2)	13157-004	1
BOLT-UPSET,6X20 (Ref # 3)	112G0620	1
SPRING CHNG DRUM LEV (Ref # 4)	92081-051	2
BOLT,CHANGE DRUM LEV (Ref # 5)	92150-1450	1
LEVER,GEAR CHNG DRUM (Ref # 6)	13168-024	1
SPRING,KICK PAWL (Ref # 7)	92083-018	1
LEVER ASSY GEAR CHNG (Ref # 8)	13161-029	1
BOLT,RETURN SPRING (Ref # 9)	92001-1401	1
NUT 6MM (Ref # 10)	312B0600	1
SPRING,CHG PEDL RTRN (Ref # 11)	92083-028	1
DRUM ASSY,GEAR CHANG (Ref # 12)	13239-1015	1
SCREW CNTSNK HD 6X20 (Ref # 13)	221B0620	1
HOLDER,CHANGE DRUM (Ref # 14)	13091-1088	1
PIN GEAR CHANGE DRUM (Ref # 15)	92042-014	1
PIN-CHANGE DRUM (Ref # 16)	92042-020	1
FORK,SELECTOR,3RD (Ref # 17)	13140-046	1
PIN SELECT FORK GUID (Ref # 18)	92043-016	1
WASHER LOCK 10MM (Ref # 19)	92031-001	1
ROD,SHIFT (Ref # 20)	49047-1006	1
CIRCLIP 12MM (Ref # 21)	480J1200	1
FORK,SELECTOR,4TH&TO (Ref # 22)	13140-045	1
LEVER,NEUTRAL POSITI (Ref # 23)	13236-1020	1
CIRCLIP 6MM (Ref # 25)	482J6000	1
BOLT,CHG DRUM POSITN (Ref # 26)	92001-1052	1
WASHER,LOCK (Ref # 27)	92024-047	1
BOLT,NEUTRAL POSITIO (Ref # 28)	92001-1301	1