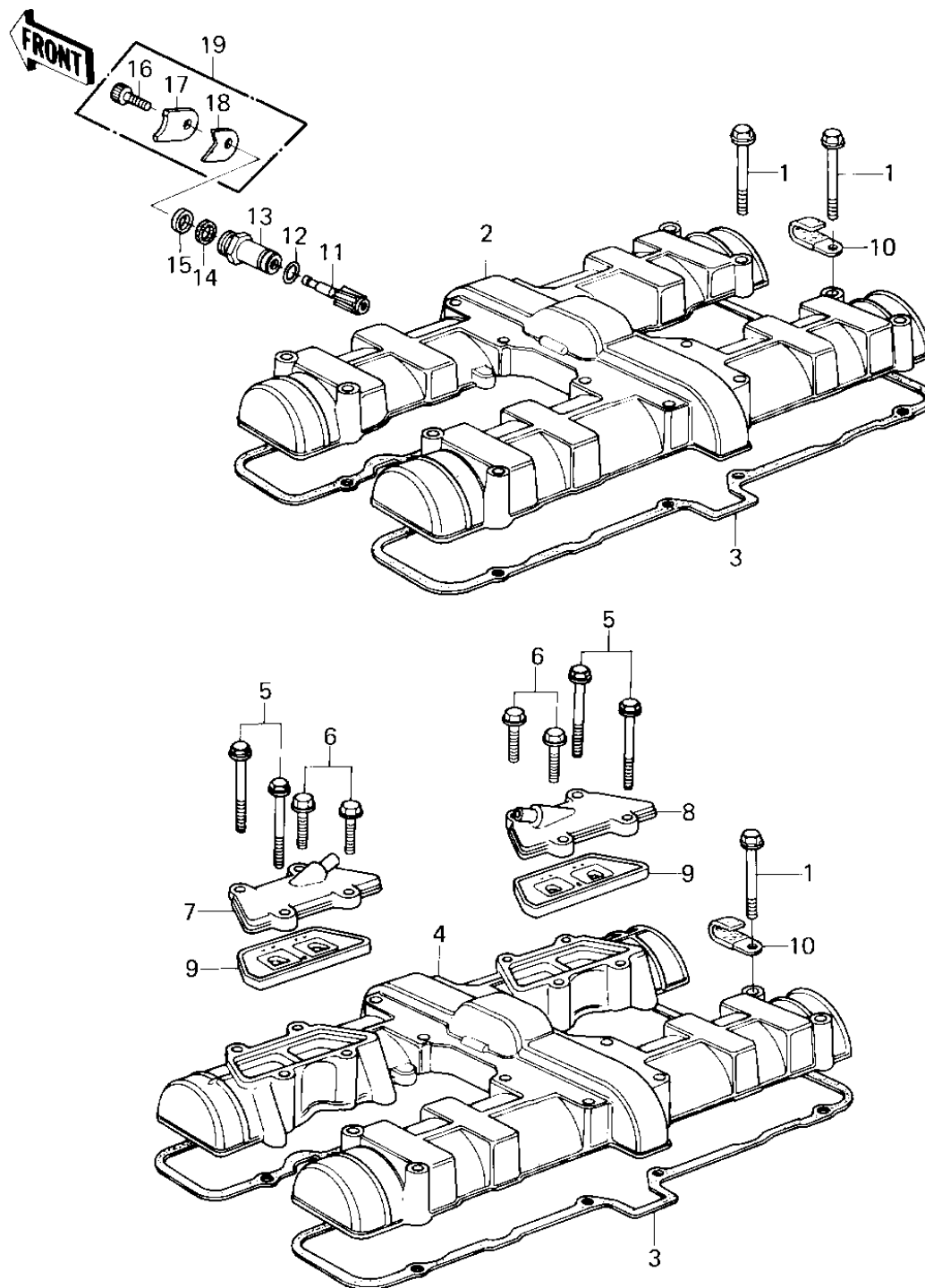


## 1980 Z1R PARTS DIAGRAM

CYLINDER HEAD COVER ('80 D3)



## 1980 Z1R PARTS LIST

CYLINDER HEAD COVER ('80 D3)

ITEM NAME	PART NUMBER	QUANTITY
BOLT,HEX HEAD,6X45 (Ref # 1)	92001-1160	1
GASKET,CYL HEAD COVE (Ref # 3)	11009-1050	1
COVER,CYLINDER HEAD (Ref # 4)	14025-1118	1
BOLT,HEX HEAD,6X66 (Ref # 5)	92001-1161	1
BOLT,HEX HEAD,6X20 (Ref # 6)	92001-1162	1
CAP ASSY,L.H (Ref # 7)	14075-5004	1
CAP ASSY,R.H (Ref # 8)	14075-5003	1
VALVE ASSY REED (Ref # 9)	12021-1003	1
CLAMP,WIRING HARNESS (Ref # 10)	21126-008	1
GEAR,TACHOMETER,10T (Ref # 11)	13223-011	1
RING-O,10MM (Ref # 12)	92055-1149	1
GUIDE,TACHOMETER GEA (Ref # 13)	92087-010	1
OIL SEAL (Ref # 14)	92050-075	1
GASKET,TACHOMETER GE (Ref # 15)	92065-103	1
BOLT,6X14 (Ref # 16)	120P0614	1
HOLDER,TACHOMETR,3.2 (Ref # 17)	13091-1009	2
HOLDER SET,TACHOMETE (Ref # 19)	13091-5001	1