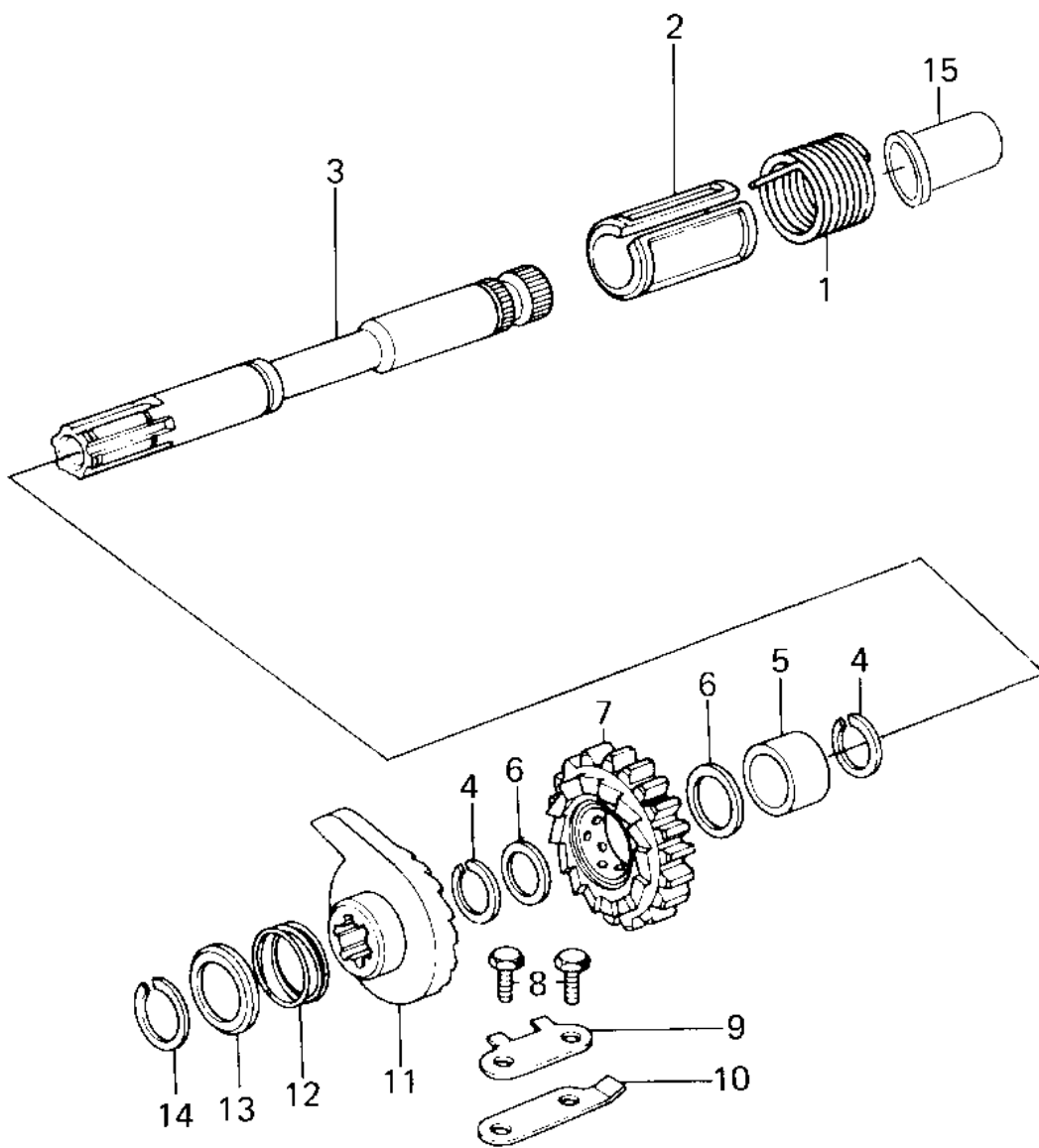


1978 Z1R PARTS DIAGRAM

KICKSTARTER MECHANISM ('78 D1)



1978 Z1R PARTS LIST

KICKSTARTER MECHANISM ('78 D1)

| ITEM NAME | PART NUMBER | QUANTITY |
|--------------------------------|-------------|----------|
| SPRING,KICKSTARTER (Ref # 1) | 92082-004 | 1 |
| GUID,KICK SHAFT (Ref # 2) | 13070-005 | 1 |
| SHAFT,KICKSTARTER (Ref # 3) | 13066-1004 | 1 |
| CIRCLIP,25MM (Ref # 4) | 92033-025 | 1 |
| COLLAR,KICKSHAFT (Ref # 5) | 92028-126 | 1 |
| WASHER,PLAIN,22MM (Ref # 6) | 92022-207 | 1 |
| GEAR,KICKSTARTER (Ref # 7) | 59051-1006 | 1 |
| BOLT-UPSET (Ref # 8) | 112G0614 | 1 |
| WASHER-LOCK (Ref # 9) | 92024-036 | 1 |
| STOPPER,KICKSTARTER (Ref # 10) | 13072-012 | 1 |
| RATCHET,KICK SHAFT (Ref # 11) | 13078-011 | 1 |
| SPRING RATCHET (Ref # 12) | 92081-104 | 1 |
| CAP,KICKSTARTER (Ref # 13) | 92102-008 | 1 |
| CIRCLIP,19MM (Ref # 14) | 480J1900 | 1 |
| PLUG (Ref # 15) | 92074-037 | 1 |