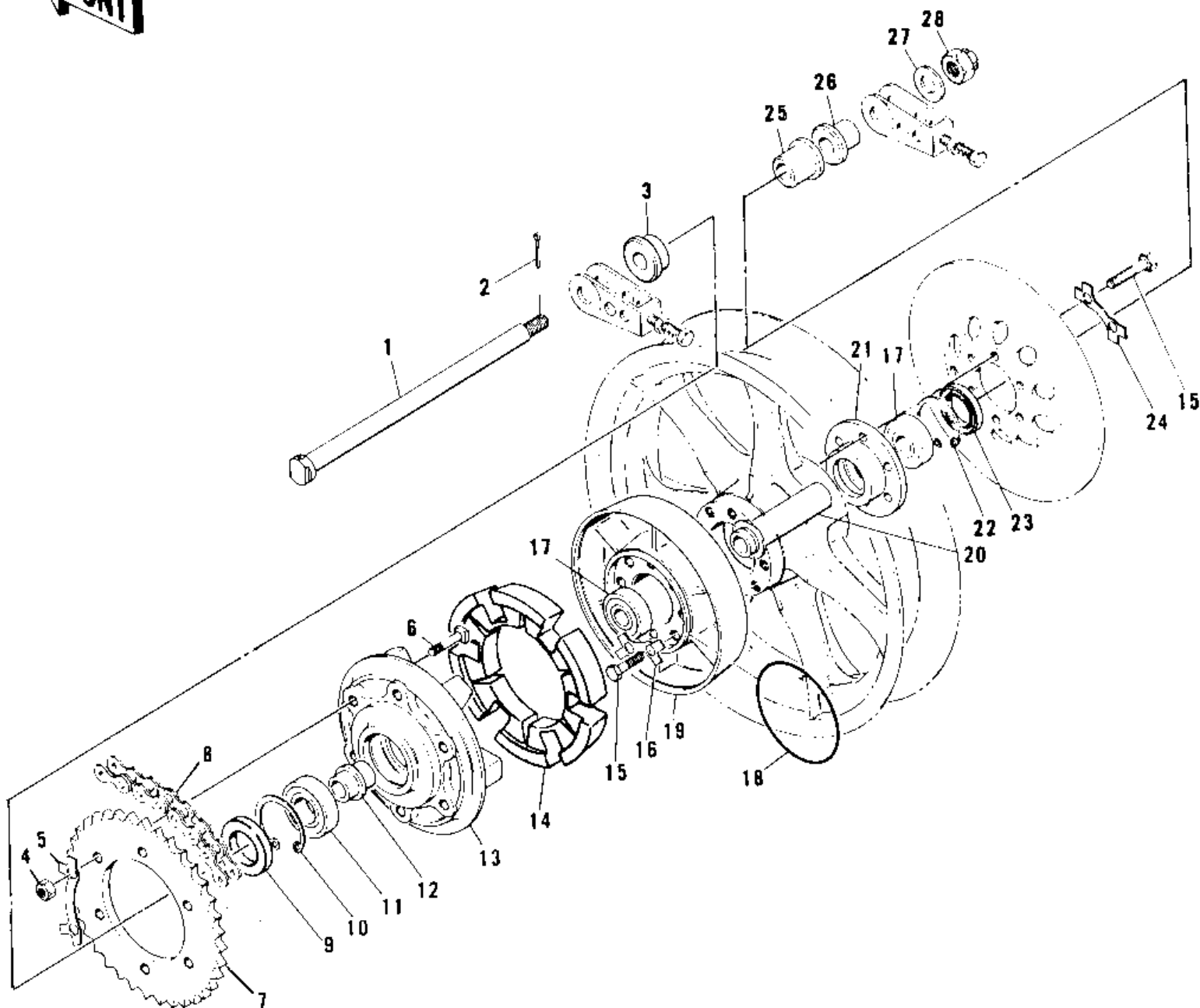


1976 900 LTD PARTS DIAGRAM

REAR HUB/CHAIN



1976 900 LTD PARTS LIST

REAR HUB/CHAIN

ITEM NAME	PART NUMBER	QUANTITY
AXLE,REAR (Ref # 1)	42031-034	1
PIN-COTTER,4.0X35 (Ref # 2)	550D4035	1
COLLAR,RR HUB COUPLN (Ref # 3)	42032-077	1
NUT 10MM (Ref # 4)	42045-005	1
WASHER,LOCK (Ref # 5)	92088-031	1
BOLT (Ref # 6)	92001-161	1
SPROCKET (Ref # 7)	42041-171	1
DR CHAIN 630X92 (Ref # 8)	92057-107	1
OIL SEAL (Ref # 9)	92050-027	1
CIRCLIP,62M/M (Ref # 10)	92033-1044	1
BALL BEARING,#6206 (Ref # 11)	601B6206	1
SLEEVE,COUPLING (Ref # 12)	42036-032	1
COUPLING ASSY,RR HUB (Ref # 13)	42008-039	1
SHOCK DAMPER (Ref # 14)	42014-031	1
BOLT (Ref # 15)	92001-183	1
WASHER, LOCK (Ref # 16)	92088-030	1
BEARING BALL #6304 (Ref # 17)	601B6304	1
"O" RING,115MM (Ref # 18)	671B25115	1
ADAPTER,BEARING (Ref # 19)	41088-006	1
COLLAR,RR HUB BEARIN (Ref # 20)	41039-036	1
ADAPTER,BEARING (Ref # 21)	41088-005	1
RING,SNAP,56.2M/M (Ref # 22)	92033-1043	1
OIL SEAL TC26388 (Ref # 23)	92052-008	1
WASHER,LOCK (Ref # 24)	92088-032	1
COLLAR,REAR AXLE (Ref # 25)	42032-061	1
SLEEVE,RR CALIPER HO (Ref # 26)	42036-027	1
WASHER,PLAIN,20MM (Ref # 27)	92022-248	1
NUT CASTLE,18MM (Ref # 28)	42045-018	1