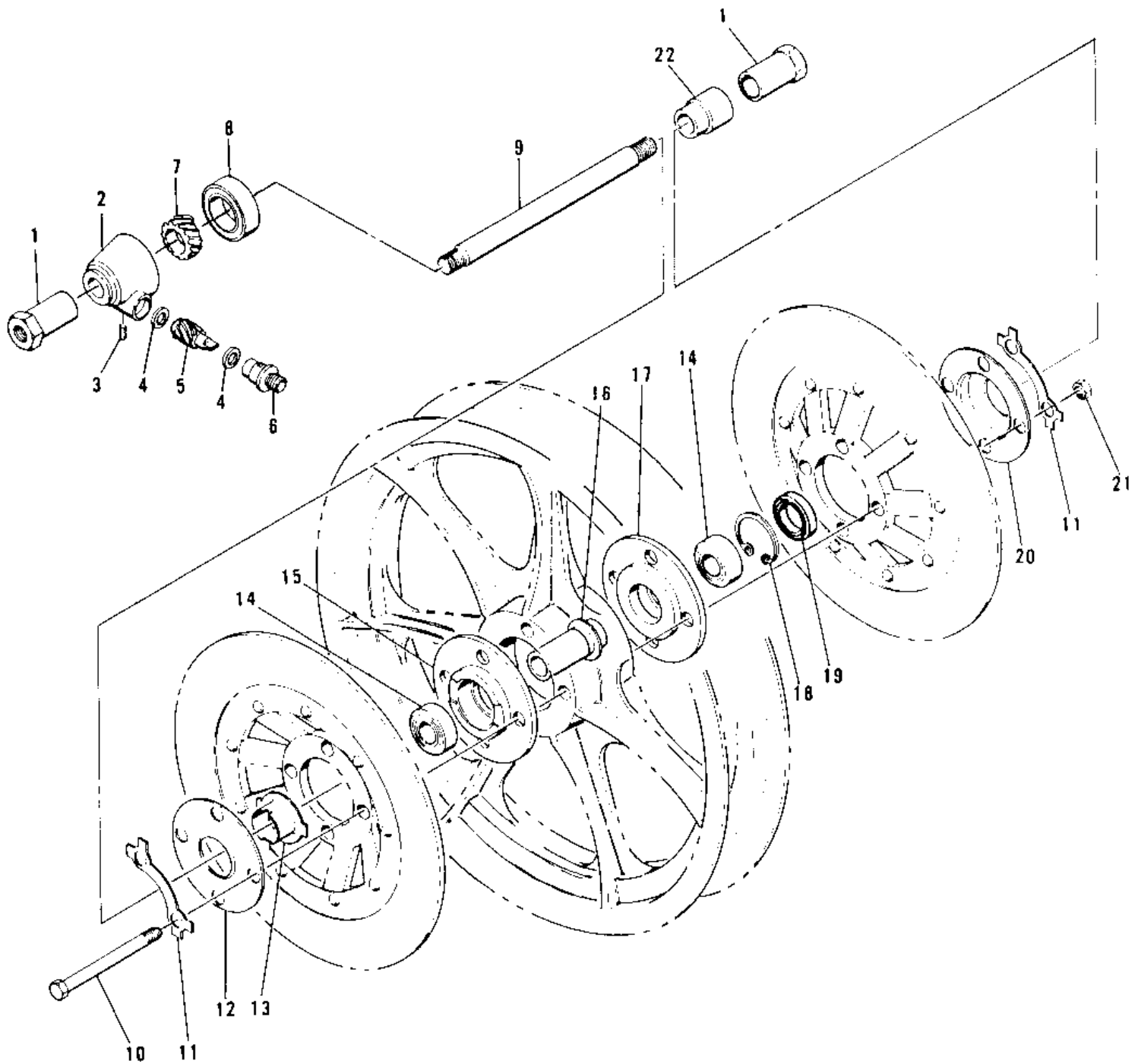


## 1976 900 LTD PARTS DIAGRAM

FRONT HUB



## 1976 900 LTD PARTS LIST

### FRONT HUB

ITEM NAME	PART NUMBER	QUANTITY
COLLAR,FRONT AXLE (Ref # 1)	41069-033	1
GEAR BOX ASSY (Ref # 2)	41078-008	1
PIN,SPRING (Ref # 3)	41082-001	1
WASHER THRST SPD PIN (Ref # 4)	41063-001	1
PINION,SPEEDOMETER (Ref # 5)	41060-017	1
BUSH,SPEEDMETER CABL (Ref # 6)	41062-005	1
GEAR,SPEEDOMETER (Ref # 7)	41059-026	1
OIL SEAL,BJN30427-C3 (Ref # 8)	92049-1057	1
AXLE,FRONT (Ref # 9)	41068-049	1
BOLT,HEX HEAD,10MM (Ref # 10)	92001-179	1
WASHER,LOCK (Ref # 11)	92088-023	1
DUST COVER (Ref # 12)	41042-014	1
RECEIVER,GEAR (Ref # 13)	41064-013	1
BEARING BALL #6203 (Ref # 14)	601B6203	1
BRG ADPTR LH FR (Ref # 15)	41088-001	1
COLLAR,FR HUB BEARIN (Ref # 16)	41039-031	1
BRG ADPTR RH FR (Ref # 17)	41088-002	1
RING, SNAP,43.5M/M (Ref # 18)	92033-1040	1
OIL SEAL (Ref # 19)	654A254008	1
DUST COVER (Ref # 20)	41042-015	1
NUT 10MM (Ref # 21)	315G1000	1
COLLAR,FRONT AXLE (Ref # 22)	41069-032	1