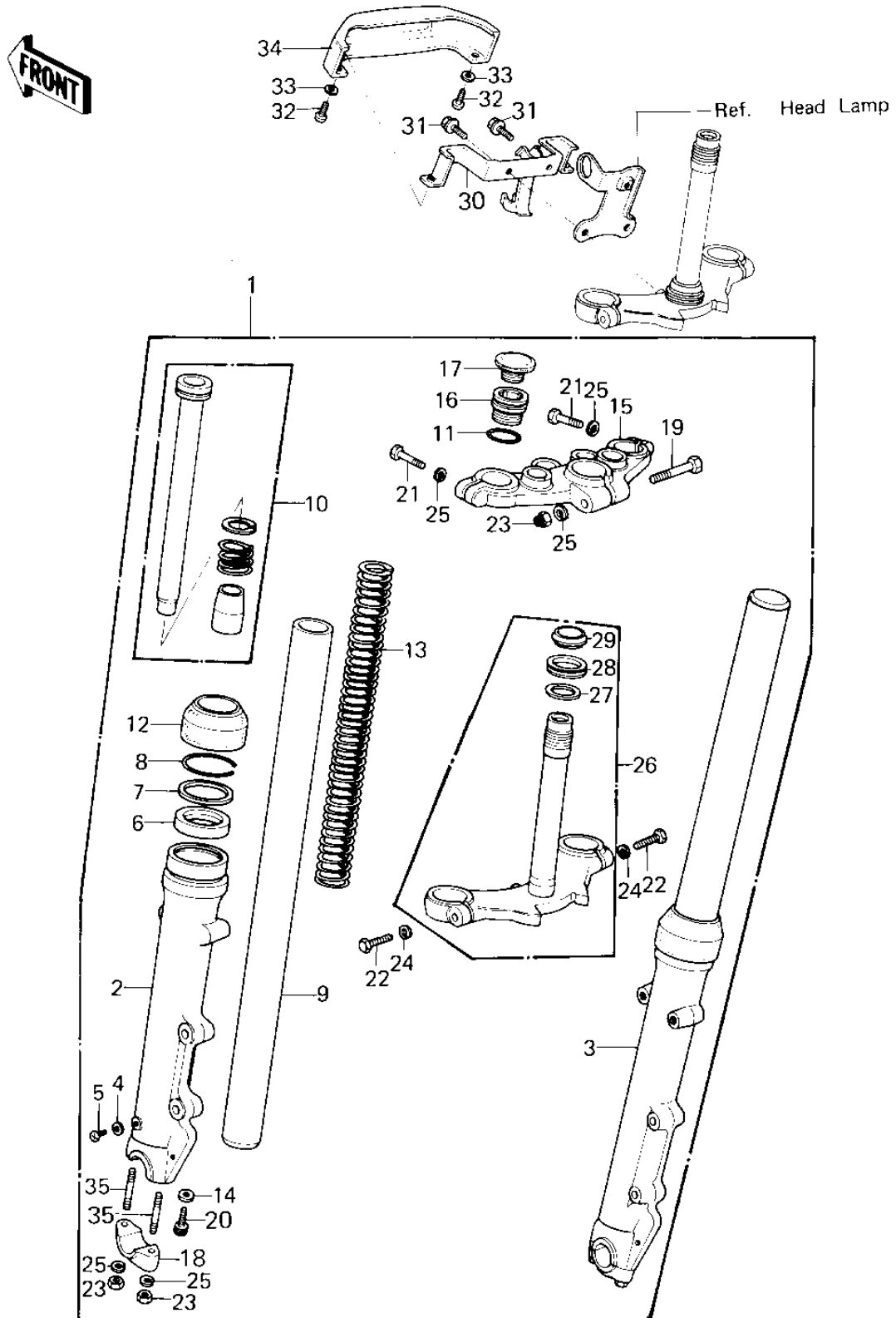


1980 750 LTD-2 PARTS DIAGRAM

FRONT FORK



1980 750 LTD-2 PARTS LIST

FRONT FORK

ITEM NAME	PART NUMBER	QUANTITY
FORK-FRONT (Ref # 1)	44001-1215	1
TUBE,LH,FORK OUTER (Ref # 2)	44005-1031	1
TUBE,RH,FORK OUTER (Ref # 3)	44006-1031	1
GASKET FORK DRAIN PL (Ref # 4)	44045-002	1
SCREW PAN HEAD 4X8 (Ref # 5)	220B0408	1
OIL SEAL,FORK (Ref # 6)	44009-024	1
WASHER-OIL SEAL FIT (Ref # 7)	44043-044	1
CIRCLIP-OIL SEAL FIT (Ref # 8)	44044-012	1
TUBE,FORK INNER (Ref # 9)	44013-1003	1
CYLINDER-FORK (Ref # 10)	44022-1011	1
"O" RING,FORK TOP (Ref # 11)	92055-1009	1
DUST SHEILD,FORK (Ref # 12)	44010-032	1
SPRING,FORK (Ref # 13)	44026-1026	1
GASKET,FORK CYLINDER (Ref # 14)	44045-057	1
HEAD STEERING STEM (Ref # 15)	44039-071	1
CAP,FORK SPRING (Ref # 16)	44029-1003	1
CAP,RUBBER (Ref # 17)	11012-1017	1
HOLDER,FRONT AXLE (Ref # 18)	44063-014	1
BOLT-HEX HEAD,8X55 (Ref # 19)	44041-038	1
BOLT-FORK CYLINDER (Ref # 20)	44041-040	1
BOLT-HEX HEAD.8M/M (Ref # 21)	44041-045	1
BOLT-HEX HEAD,12X36 (Ref # 22)	92003-064	1
NUT,LOCK,8MM (Ref # 23)	92015-1124	1
WASHER SPRING 12MM (Ref # 24)	461F1200	1
WASHER SPRING 8MM (Ref # 25)	461F0800	1
STEM,STEERING (Ref # 26)	44037-093	1
WASHER,PLAIN (Ref # 27)	92022-231	1
OIL SEAL,STEERING ST (Ref # 28)	92056-003	1
CONE,STEERING STEM (Ref # 29)	92047-012	1

1980 750 LTD-2 PARTS LIST

FRONT FORK

ITEM NAME	PART NUMBER	QUANTITY
BRACKET,FORK COVER (Ref # 30)	11034-1602	1
BELT,FLANGED,6X12 (Ref # 31)	131B0612	1
SCREW PAN HEAD 4X10 (Ref # 32)	220B0410	1
WASHER PLAIN 4MM (Ref # 33)	410B0400	1
COVER,FORK (Ref # 34)	44033-1042	1
STUD,8X35 (Ref # 35)	92004-1009	1