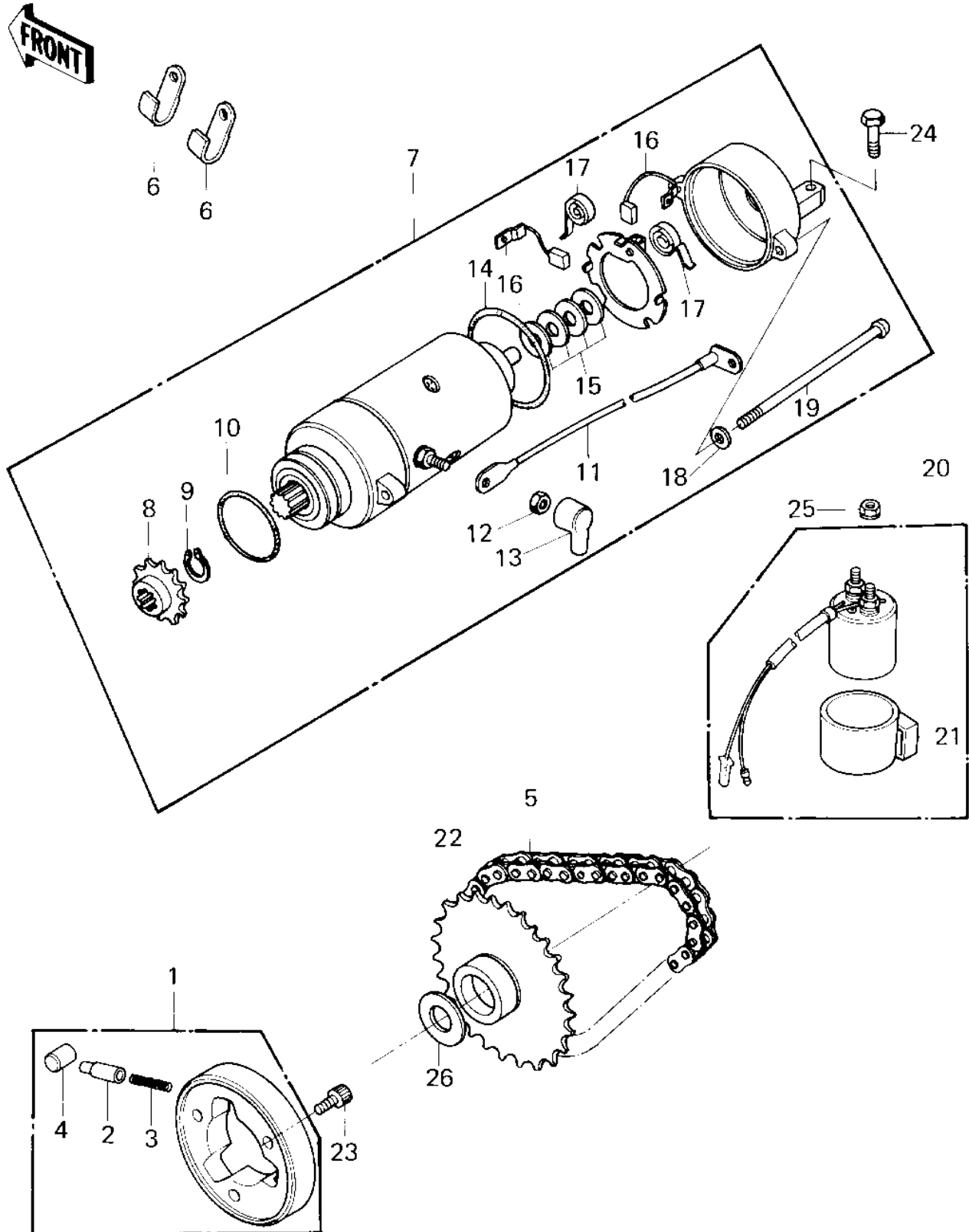


## 1980 750 LTD-2 PARTS DIAGRAM

STARTER MOTOR/STARTER CLUTCH



## 1980 750 LTD-2 PARTS LIST

### STARTER MOTOR/STARTER CLUTCH

ITEM NAME	PART NUMBER	QUANTITY
CLUTCH ASSY,STARTER (Ref # 1)	13193-1001	1
PIN (Ref # 2)	92043-087	1
SPRING (Ref # 3)	92081-110	1
ROLLER (Ref # 4)	92122-004	1
CHAIN,DYNAMO (Ref # 5)	21070-010	1
CLAMP,WIRING HARNESS (Ref # 6)	21126-008	1
STARTER ELECTRIC (Ref # 7)	21163-1020	1
SPROCKET,STARTER MOT (Ref # 8)	21053-003	1
CIRCLIP (Ref # 9)	92033-034	1
"O" RING,40M/M (Ref # 10)	21027-008	1
WIRE,STARTER MOTOR L (Ref # 11)	26010-045	1
NUT 6MM (Ref # 12)	312B0600	1
GROMMET,CORD (Ref # 13)	21017-017	1
"O" RING,STARTING MT (Ref # 14)	21027-003	1
WASHER,THRUST,0.2T (Ref # 15)	21025-011	1
CARBON BRUSH (Ref # 16)	21039-003	1
SPRING,CARBON BRUSH (Ref # 17)	21040-003	1
WASHER SPRING 6MM (Ref # 18)	461F0600	1
UNAVAILABLE IN PRICE BOOK (Ref # 19)	21099-055	1
SWITCH ASSY,MAGNETIC (Ref # 20)	21164-005	1
DAMPER MAG SWITCH SH (Ref # 21)	21064-002	1
GEAR,STARTER CLUTCH (Ref # 22)	21170-003	1
BOLT (Ref # 23)	120P0816	1
BOLT,FLANGED,6X25 (Ref # 24)	130G0625	1
NUT,LOCK 6MM (Ref # 25)	92017-014	1
SPACER (Ref # 26)	92026-1013	1