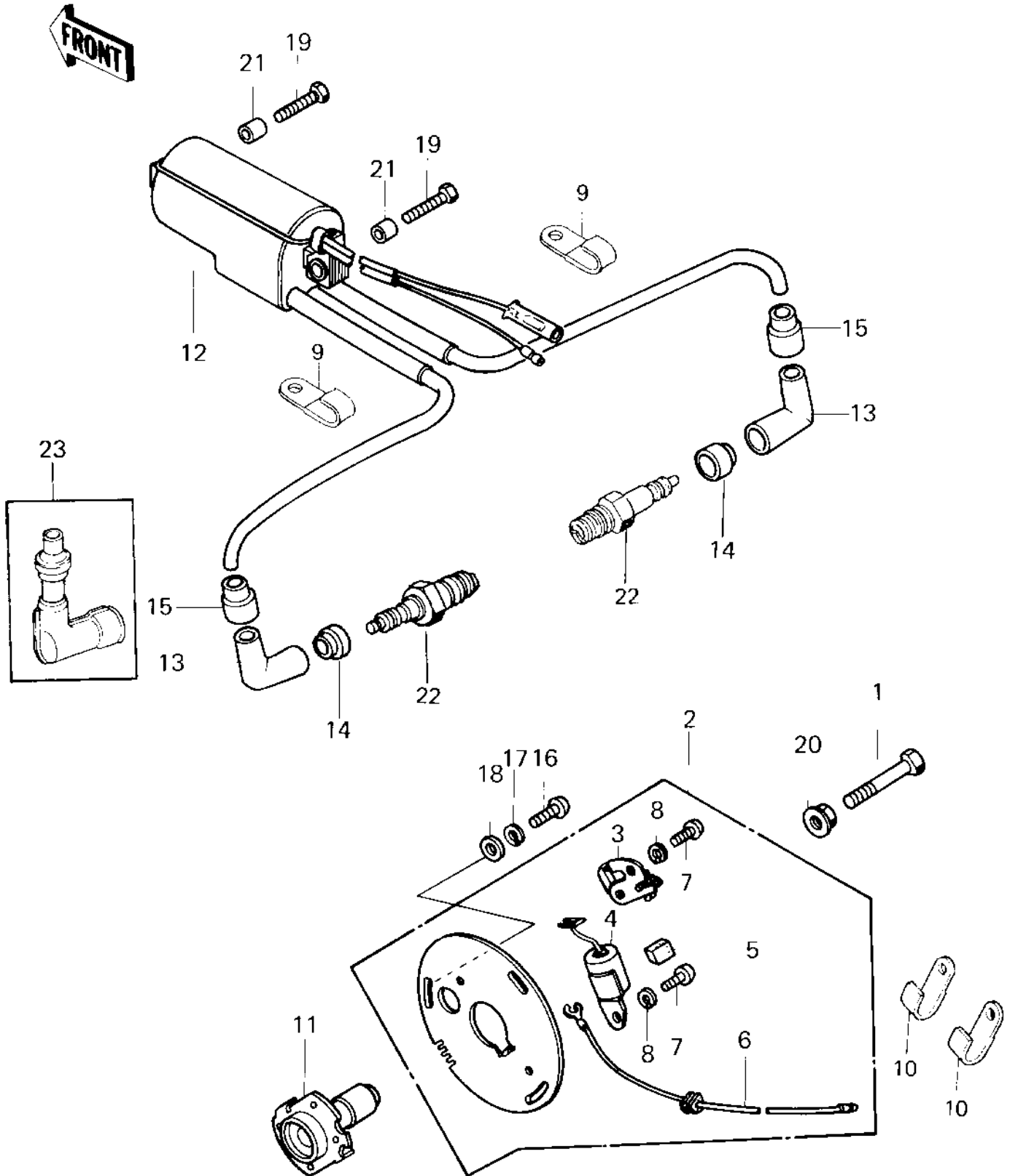


1980 750 LTD-2 PARTS DIAGRAM

IGNITION



1980 750 LTD-2 PARTS LIST

IGNITION

ITEM NAME	PART NUMBER	QUANTITY
BOLT-8X63 (Ref # 1)	92001-1397	1
BREAKER ASSY,CONTACT (Ref # 2)	21008-1013	1
BREAKER,CONTACT (Ref # 3)	21008-027	1
CONDENSER (Ref # 4)	21013-1002	1
FELT OIL (Ref # 5)	21019-005	1
WIRING HARNESS,BRAKE (Ref # 6)	26001-1040	1
SCREW PAN HEAD 4X6 (Ref # 7)	220B0406	1
WASHER SPRING 4MM (Ref # 8)	461F0400	1
CLAMP,WIRING HARNESS (Ref # 9)	21126-008	2
ADVANCER,AUTO TIMING (Ref # 11)	21148-1004	1
COIL-IGNITION (Ref # 12)	21121-1174	1
CAP-SPARK PLUG,RTFM2 (Ref # 13)	21130-1007	1
GROMMET-PLUG CAP,A (Ref # 14)	21131-004	1
GROMMET,SPARK PLG CA (Ref # 15)	21132-005	1
SCREW PAN HEAD 5X12 (Ref # 16)	220B0512	1
WASHER SPRING 5MM (Ref # 17)	461F0500	1
WASHER PLAIN 5MM (Ref # 18)	410B0500	1
BOLT, IGNITION COIL (Ref # 19)	92003-170	1
WASHER,SPARK ADVANCE (Ref # 20)	92022-244	1
COLLAR,IGNITION COIL (Ref # 21)	92027-276	1
SPARK PLUG B6ES (Ref # 22)	B6ES	1
CAP,SPARK PLUG (Ref # 23)	21160-005	1