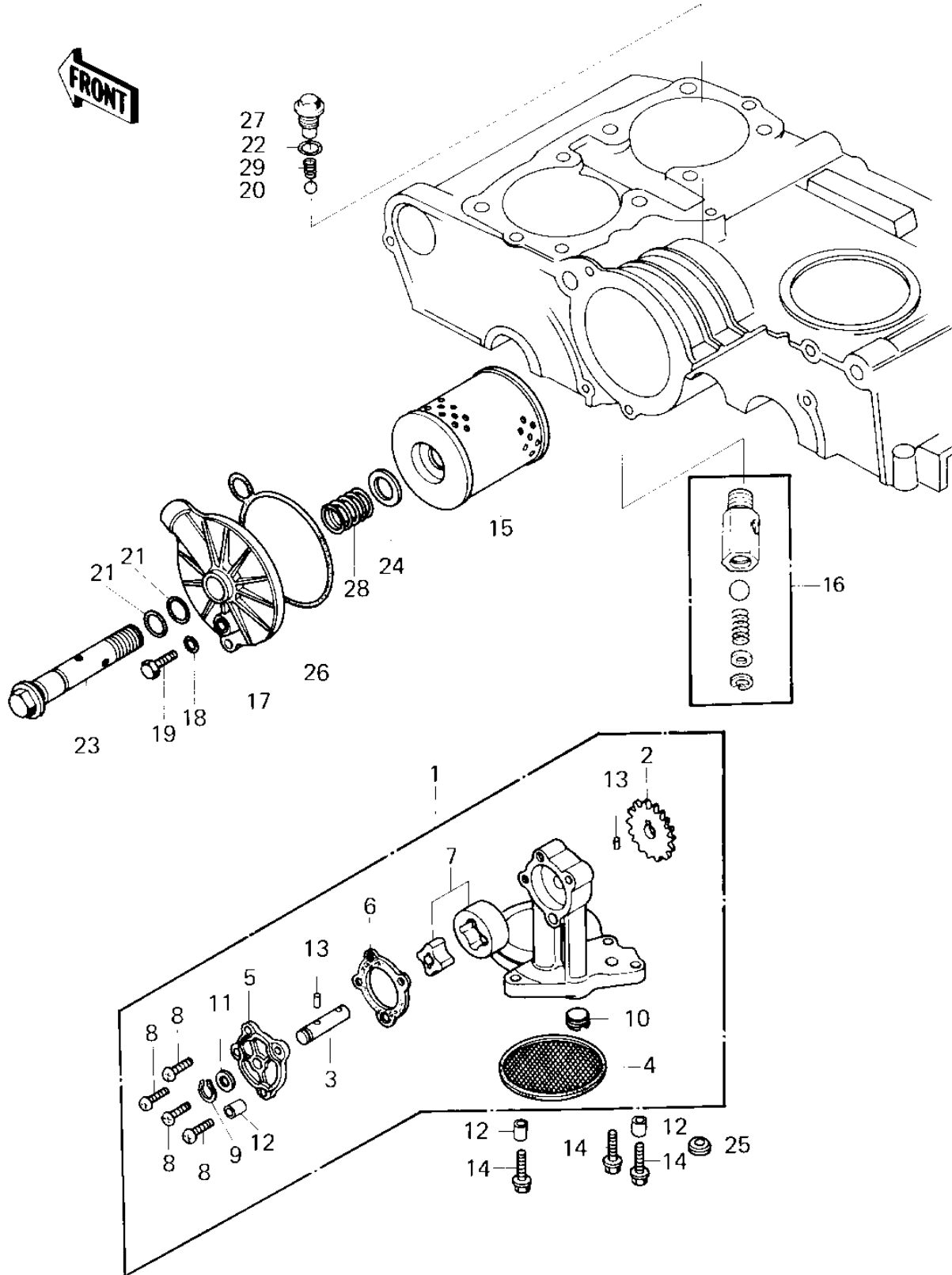


1980 750 LTD-2 PARTS DIAGRAM

OIL PUMP/OIL FILTER



1980 750 LTD-2 PARTS LIST

OIL PUMP/OIL FILTER

ITEM NAME	PART NUMBER	QUANTITY
OIL PUMP ASSY (Ref # 1)	16082-062	1
GEAR,OIL PUMP (Ref # 2)	16085-024	1
SHAFT,OIL PUMP (Ref # 3)	16086-004	1
STRAINER,OIL PUMP (Ref # 4)	16111-004	1
COVER,OIL PUMP (Ref # 5)	16142-004	1
GASKET,OIL PUMP (Ref # 6)	16145-003	1
ROTOR ASSY,OIL PUMP (Ref # 7)	16154-003	1
SCREW PAN HEAD 6X22 (Ref # 8)	220B0622	1
CIRCLIP,11MM (Ref # 9)	480J1100	1
SCREW,SLOTTED (Ref # 10)	92013-008	1
WASHER,PLAIN (Ref # 11)	92022-311	1
PIN,DOWEL,8X10 (Ref # 12)	92043-1302	1
PIN,DOWEL (Ref # 13)	92042-041	1
BOLT,HEX HEAD,6X41 (Ref # 14)	92003-109	1
ELEMENT,OIL FILTER (Ref # 15)	16099-002	1
RELEAF VALVE ASSY (Ref # 16)	16130-1001	1
COVER,OIL FILTER (Ref # 17)	16146-002	1
"O" RING,8MM (Ref # 18)	670B1508	1
PLUG,OIL DRAIN (Ref # 19)	92066-024	1
BALL STEEL 3/8' (Ref # 20)	600A1200	1
"O" RING,16MM (Ref # 21)	670B2016	1
"O" RING,18MM (Ref # 22)	670B2018	1
BOLT,OIL FILTER (Ref # 23)	92003-189	1
WASHER,20.5X30X1.0 (Ref # 24)	92022-1012	1
O RING,O.D=18MM (Ref # 25)	92055-048	1
"O" RING (Ref # 26)	92055-084	1
PLUG,FILTER COVER (Ref # 27)	92066-050	1
SPRING,OIL FILTER (Ref # 28)	92081-1018	1
SPRING (Ref # 29)	92081-109	1