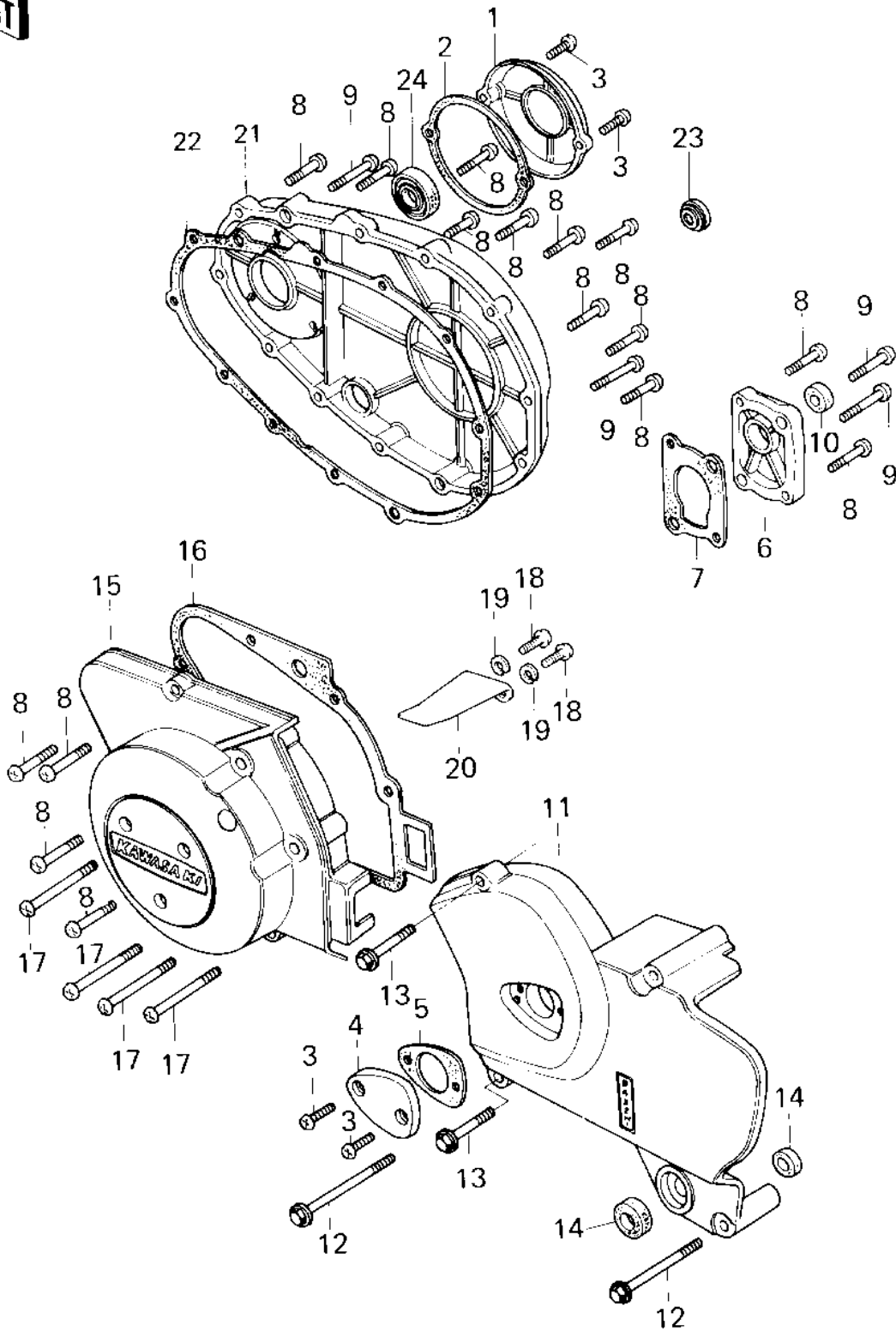


1980 750 LTD-2 PARTS DIAGRAM

ENGINE COVERS



1980 750 LTD-2 PARTS LIST

ENGINE COVERS

ITEM NAME	PART NUMBER	QUANTITY
COVERBRK POINT,BUFF (Ref # 1)	14027-019-80	1
GASKET,BREAKER COVER (Ref # 2)	14050-010	1
SCREW PAN HEAD 6X18 (Ref # 3)	220B0618	1
CAP,CLUTCH ADJUST (Ref # 4)	14028-008-2H	1
GASKET,CLUTCH ADJUST (Ref # 5)	14049-007	1
COVER,KICK (Ref # 6)	14032-112-2H	1
GASKET,KICK COVER (Ref # 7)	14046-034	1
SCREW PAN HEAD 6X30 (Ref # 8)	220B0630	1
SCREW PAN HEAD 6X40 (Ref # 9)	220B0640	1
OIL SEAL,SC22325 (Ref # 10)	92049-1048	1
COVER,ENGINE SPROCKE (Ref # 11)	14026-032-80	1
BOLT-FLANGED,6X95 (Ref # 12)	130G0695	1
BOLT, HEX HEAD, 6X34 (Ref # 13)	92003-159	1
OIL SEAL,TB13225.5 (Ref # 14)	92051-005	1
COVER,GENERATOR (Ref # 15)	14031-1044	1
GASKET,GENERATOR COV (Ref # 16)	11009-1328	1
SCREW PAN HEAD 6X60 (Ref # 17)	220B0660	1
SCREW PAN HEAD 5X12 (Ref # 18)	220B0512	1
WASHER SPRING 5MM (Ref # 19)	461F0500	1
CLAMP,GENERATOR WIRE (Ref # 20)	92037-1122	1
COVER,CLUTCH (Ref # 21)	14032-1031	1
GASKET,R.H ENGINE CO (Ref # 22)	14046-033	1
GAUGE,OIL LEVEL (Ref # 23)	52015-004	1
OIL SEAL,R.H CRNKSFT (Ref # 24)	92050-065	1