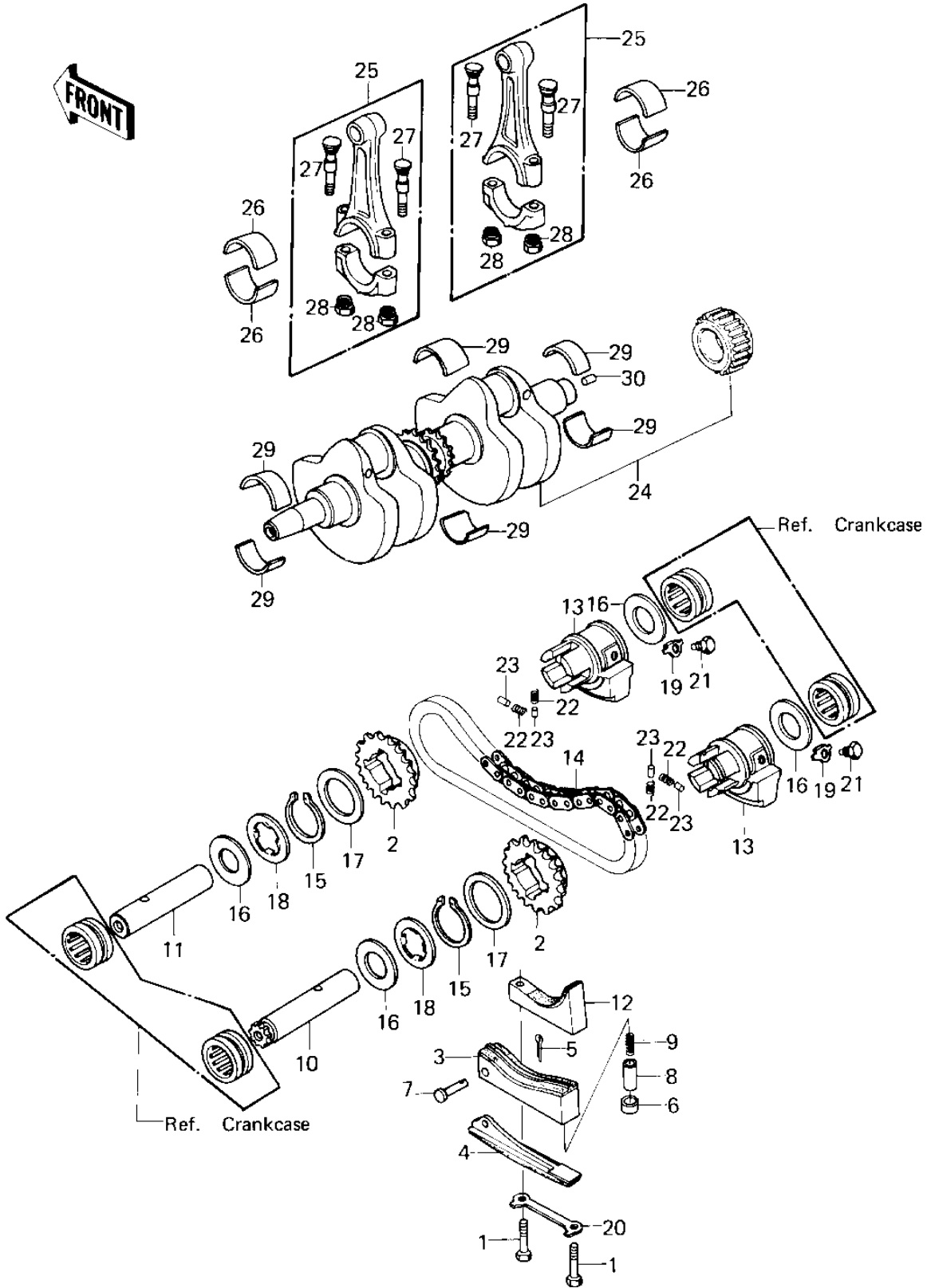


1980 750 LTD-2 PARTS DIAGRAM

CRANKSHAFT/BALANCER



1980 750 LTD-2 PARTS LIST

CRANKSHAFT/BALANCER

| ITEM NAME | PART NUMBER | QUANTITY |
|---------------------------------|--------------|----------|
| BOLT,6X55 (Ref # 1) | 110G0655 | 1 |
| SPROCKET,BALANCER (Ref # 2) | 12046-008 | 1 |
| SLIPPER,CAM CHAIN (Ref # 3) | 12053-013 | 1 |
| SLIPPER,CAM CHAIN (Ref # 4) | 12053-014 | 1 |
| PIN COTTER 1.6X15 (Ref # 5) | 550D1615 | 1 |
| BUSHING,SLIPPER (Ref # 6) | 92028-185 | 1 |
| PIN (Ref # 7) | 92043-120 | 1 |
| PIN,SLIPPER (Ref # 8) | 92043-122 | 1 |
| SPRING (Ref # 9) | 92081-146 | 1 |
| SHAFT BALANCER W-GEA (Ref # 10) | 12052-007 | 1 |
| SHAFT,BALANCER (Ref # 11) | 12052-008 | 1 |
| SLIPPER,CAM CHAIN (Ref # 12) | 12053-022 | 1 |
| BALANCER (Ref # 13) | 13041-005 | 1 |
| CHAIN,BALANCER (Ref # 14) | 21070-009 | 1 |
| CIRCLIP, 38MM (Ref # 15) | 480J3800 | 1 |
| WASHER,PLAIN (Ref # 16) | 92022-310 | 1 |
| WASHER,PLAIN (Ref # 17) | 92022-316 | 1 |
| WASHER,LOCK (Ref # 18) | 92024-071 | 1 |
| WASHER LOCK 10MM (Ref # 19) | 92031-001 | 1 |
| WASHER,LOCK (Ref # 20) | 92031-016 | 1 |
| PIN SELECT FORK GUID (Ref # 21) | 92043-016 | 1 |
| SPRING,BALANCER (Ref # 22) | 92081-142 | 1 |
| PIN,DOWEL (Ref # 23) | 92122-005 | 1 |
| CRANKSHAFT ASSY (Ref # 24) | 13031-1005 | 1 |
| ROD-CONNECTING (Ref # 25) | 13032-051-MM | 3 |
| METAL,CON ROD BRG (Ref # 26) | 13034-043 | 1 |
| METAL,CON ROD BRG (Ref # 26) | 13034-045 | 1 |
| METAL,CON ROD BRG (Ref # 26) | 13034-046 | 1 |
| BOLT,CONNECTING ROD (Ref # 27) | 92001-170 | 1 |

1980 750 LTD-2 PARTS LIST

CRANKSHAFT/BALANCER

| ITEM NAME | PART NUMBER | QUANTITY |
|----------------------------|-------------|----------|
| NUT,FLANGED,8MM (Ref # 28) | 92015-1311 | 1 |
| METAL,CRANK BRG (Ref # 29) | 13034-044 | 1 |
| PIN-SPRING,4X8 (Ref # 30) | 555A0408 | 1 |