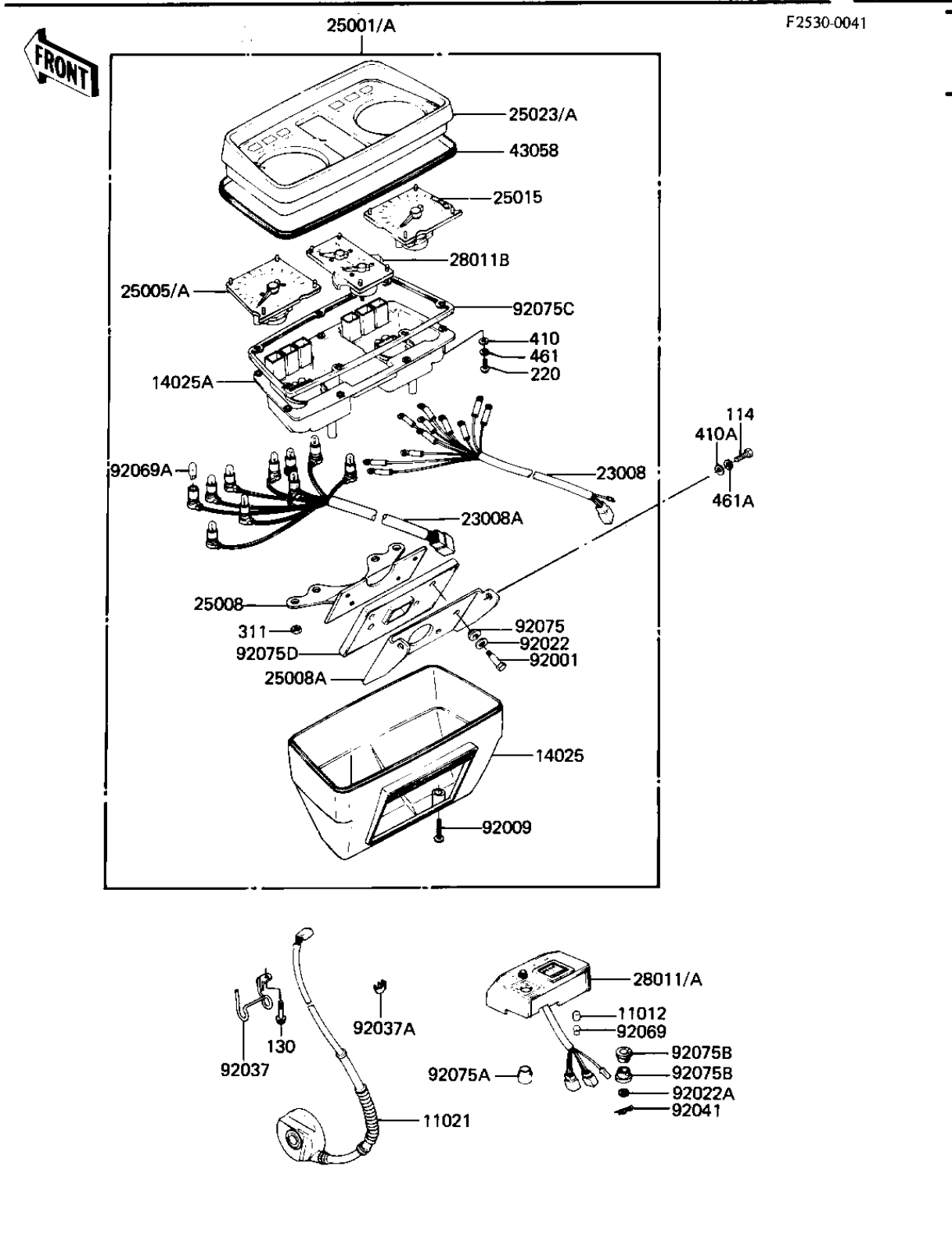


1981 1000 GP PARTS DIAGRAM

METERS (KZ1100-B1)



1981 1000 GP PARTS LIST

METERS (KZ1100-B1)

ITEM NAME	PART NUMBER	QUANTITY
CAP,BULB,GREEN (Ref # 11012)	11012-1172	1
CASE-ASSY (Ref # 11021)	11021-1011	1
COVER,METER CASE,LWR (Ref # 14025)	14025-1384	1
COVER,METER HOUSING (Ref # 14025A)	14025-1526	1
SOCKET-ASSY,METER UNT (Ref # 23008)	23008-1112	1
SOCKET-ASSY,METER LMP (Ref # 23008A)	23008-1113	1
METER-ASSY,MPH (Ref # 25001)	25001-1218	1
METER-ASSY,KPH (Canada) (Ref # 25001A)	25001-1219	1
SPEEDOMETER,MPH (Ref # 25005)	25005-1128	1
SPEEDOMETER,KPH (Canada) (Ref # 25005A)	25005-1129	1
BRACKET-METER,CASE (Ref # 25008)	25008-1043	1
BRACKET-METER,COVER (Ref # 25008A)	25008-1044	1
TACHOMETER,X1000RPM (Ref # 25015)	25015-1092	1
COVER-METER CASE,UPP (Ref # 25023)	25023-1030	1
COVER-METER CASE,UPP (Ref # 25023A)	25023-1031	1
METER,TOTAL & TRIP (Ref # 28011)	28011-1011	1
METER,TOTAL & TRIP (Canada) (Ref # 28011A)	28011-1012	1
METER-FUEL & VOLT (Ref # 28011B)	28011-1026	1
RING-METER CASE COVER (Ref # 43058)	43058-1022	1
BOLT,5MM,BLACK (Ref # 92001)	92001-1477	1
SCREW,4X25,BLACK (Ref # 92009)	92009-1125	1
WASHER,7.2X15X1,BLACK (Ref # 92022)	92022-1273	1
WASHER,PLAIN,6MM (Ref # 92022A)	92022-263	1
CLAMP (Ref # 92037)	92037-1230	1
CLAMP,CASE ASSY,WIRE (Ref # 92037A)	92037-1249	1
PIN,COTER (Ref # 92041)	92041-006	1
BULB 12V 1.5W (Ref # 92069)	92069-017	1
BULB,12V3.4W (Ref # 92069A)	92069-1007	1
DAMPER RUBBER,MET FIT (Ref # 92075)	25019-023	1

1981 1000 GP PARTS LIST

METERS (KZ1100-B1)

ITEM NAME	PART NUMBER	QUANTITY
DAMPER (Ref # 92075A)	92075-1286	1
DAMPER,TRIP METER (Ref # 92075B)	92075-1300	1
DAMPER,WATERPROOF PRT (Ref # 92075C)	92075-1341	1
DAMPER,WATERPROOF PRT (Ref # 92075D)	92075-1342	1
BOLT-SMALL-UPSET,8X18 (Ref # 114)	115G0818	1
BOLT,FLANGED,6X8 (Ref # 130)	130B0608	1
SCREW PAN HEAD 4X10 (Ref # 220)	220B0410	1
NUT,5MM (Ref # 311)	311B0500	1
WASHER PLAIN 4MM (Ref # 410)	410B0400	1
WASHER PLAIN 8MM (Ref # 410A)	410B0800	1
WASHER SPRING 4MM (Ref # 461)	461F0400	1
WASHER SPRING 8MM (Ref # 461A)	461F0800	1