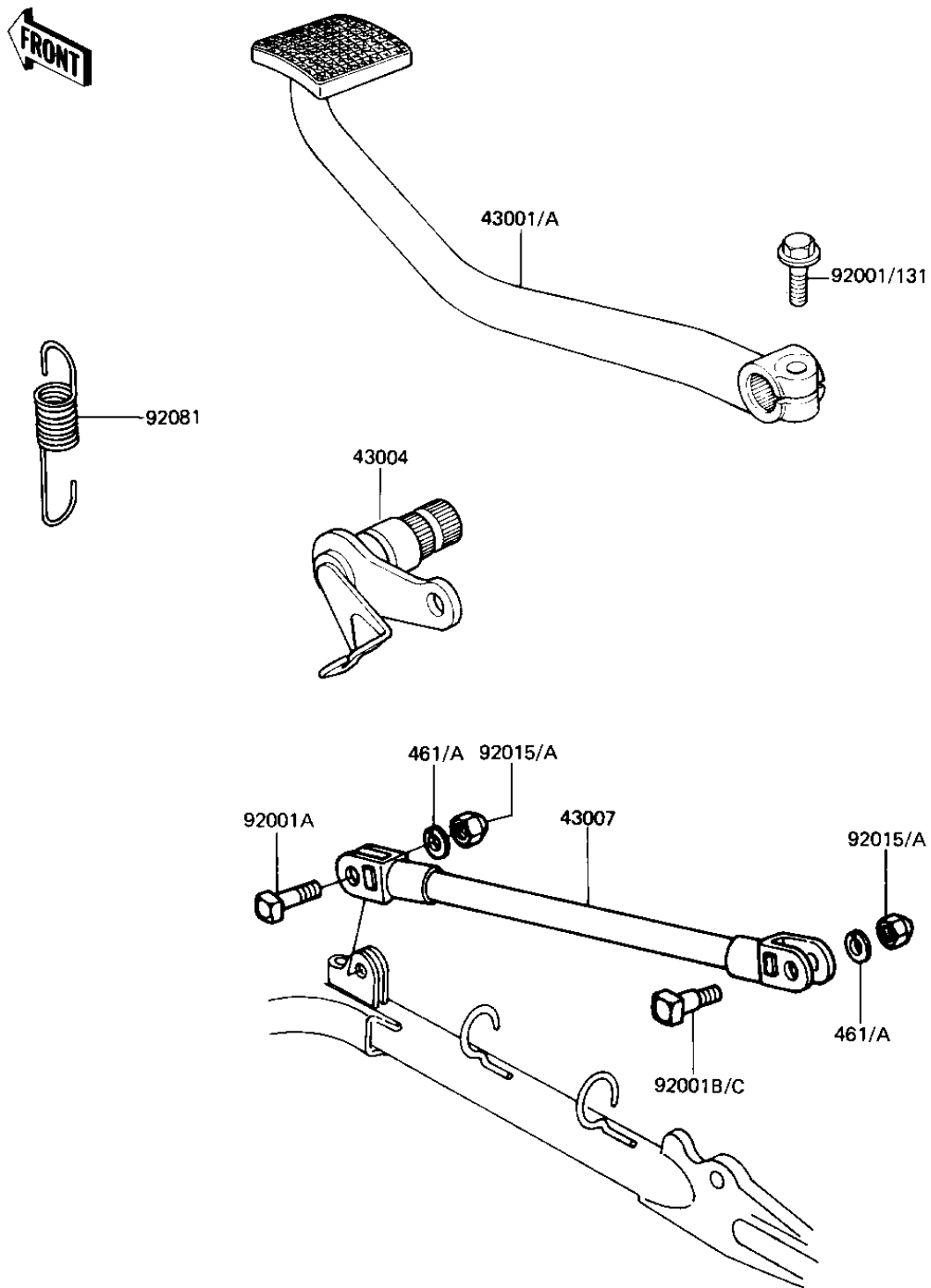


1981 1000 GP PARTS DIAGRAM

BRAKE PEDAL/TORQUE LINK

F2260-0075



1981 1000 GP PARTS LIST

BRAKE PEDAL/TORQUE LINK

| ITEM NAME | PART NUMBER | QUANTITY |
|--------------------------------------|-------------|----------|
| LEVER-BRAKE,PEDAL (Ref # 43001) | 43001-1071 | 2 |
| SHAFT-BRAKE (Ref # 43004) | 43004-1026 | 1 |
| TORQUE ROD,REAR BRAKE (Ref # 43007) | 43007-1015 | 1 |
| BOLT-FLANGED,8X25 (Ref # 92001) | 130G0825 | 1 |
| BOLT,TORQUE ROD FRONT (Ref # 92001A) | 92001-1208 | 1 |
| BOLT,SQUARE HEAD (Ref # 92001B) | 92001-1307 | 1 |
| NUT,10MM (Ref # 92015A) | 92015-1429 | 1 |
| SPRING (Ref # 92081) | 92081-1296 | 1 |
| WASHER SPRING 10MM (Ref # 461) | 461F1000 | 1 |