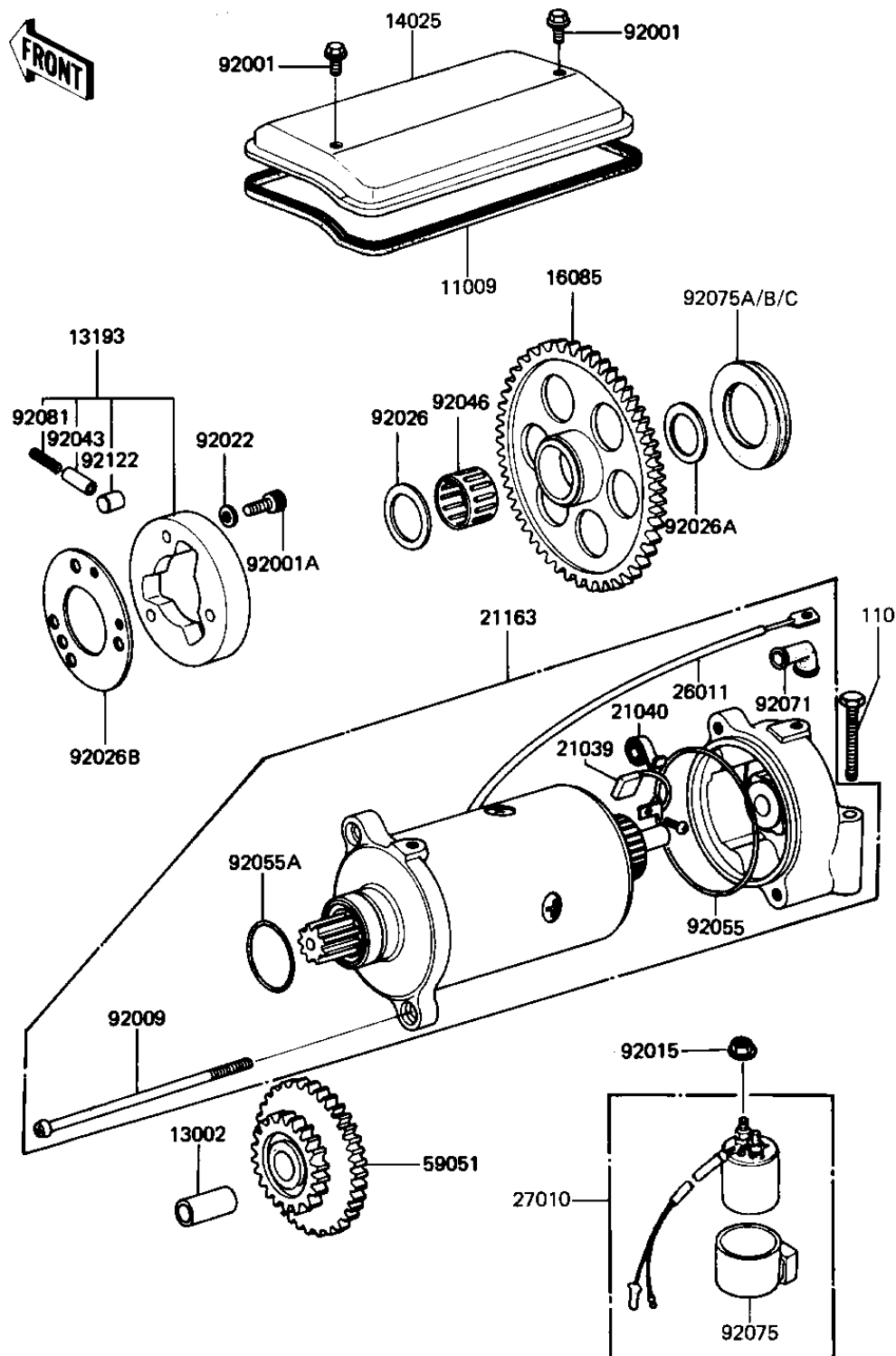


## 1981 1000 GP PARTS DIAGRAM

STARTER MOTOR/STARTER CLUTCH (KZ1100-B1)

E1840-0010



## 1981 1000 GP PARTS LIST

STARTER MOTOR/STARTER CLUTCH (KZ1100-B1)

ITEM NAME	PART NUMBER	QUANTITY
GASKET,START MOTOR CV (Ref # 11009)	21166-001	1
PIN-PISTON (Ref # 13002)	13002-007	1
CLUTCH ASSY,STARTING (Ref # 13193)	13193-1006	1
COVER,STARTER,BLACK (Ref # 14025)	14025-1378	1
GEAR,STARTING CLUTCH (Ref # 16085)	16085-1012	1
CARBON BRUSH (Ref # 21039)	21039-003	1
SPRING,CARBON BRUSH (Ref # 21040)	21040-003	1
STARTER-ELECTRIC (Ref # 21163)	21163-1019	1
WIRE,STARTER MOTOR (Ref # 26011)	26010-055	1
SWITCH ASSY,MAGNETIC (Ref # 27010)	21164-005	1
GEAR,STARTING MOTOR (Ref # 59051)	21167-002	1
BOLT,6X10 (Ref # 92001)	92001-1151	1
BOLT (Ref # 92001A)	120P0816	1
SCREW,PAN HEAD,6X110 (Ref # 92009)	21015-005	1
NUT,SGNL LAMP BRACKET (Ref # 92015)	92015-1073	1
WASHER,PLAIN (Ref # 92022)	92022-1108	1
SPACER (Ref # 92026)	92026-1031	1
SPACER (Ref # 92026A)	92026-1033	1
PLATE,CLUTCH STARTER (Ref # 92026B)	92026-112	1
PIN (Ref # 92043)	92043-087	1
BEARING,NEEDLE,K25302 (Ref # 92046)	92046-1022	1
"0" RING,STARTING MTR (Ref # 92055)	21027-003	1
"0" RING,STARTING MTR (Ref # 92055A)	21027-004	1
GROMMET,CORD (Ref # 92071)	21017-017	1
DAMPER MAG SWITCH SHK (Ref # 92075)	21064-002	1
DAMPER RUBBER,6.3T (Ref # 92075A)	92075-1129	1
DAMPER RUBBER,7.3T (Ref # 92075B)	92075-1130	1
DAMPER RUBBER,8.3T (Ref # 92075C)	92075-1131	1
SPRING (Ref # 92081)	92081-110	1

## 1981 1000 GP PARTS LIST

STARTER MOTOR/STARTER CLUTCH (KZ1100-B1)

ITEM NAME	PART NUMBER	QUANTITY
PIN (Ref # 92122)	92122-001	1
BOLT,EXCLUSIVE (Ref # 110)	92001-1456	1