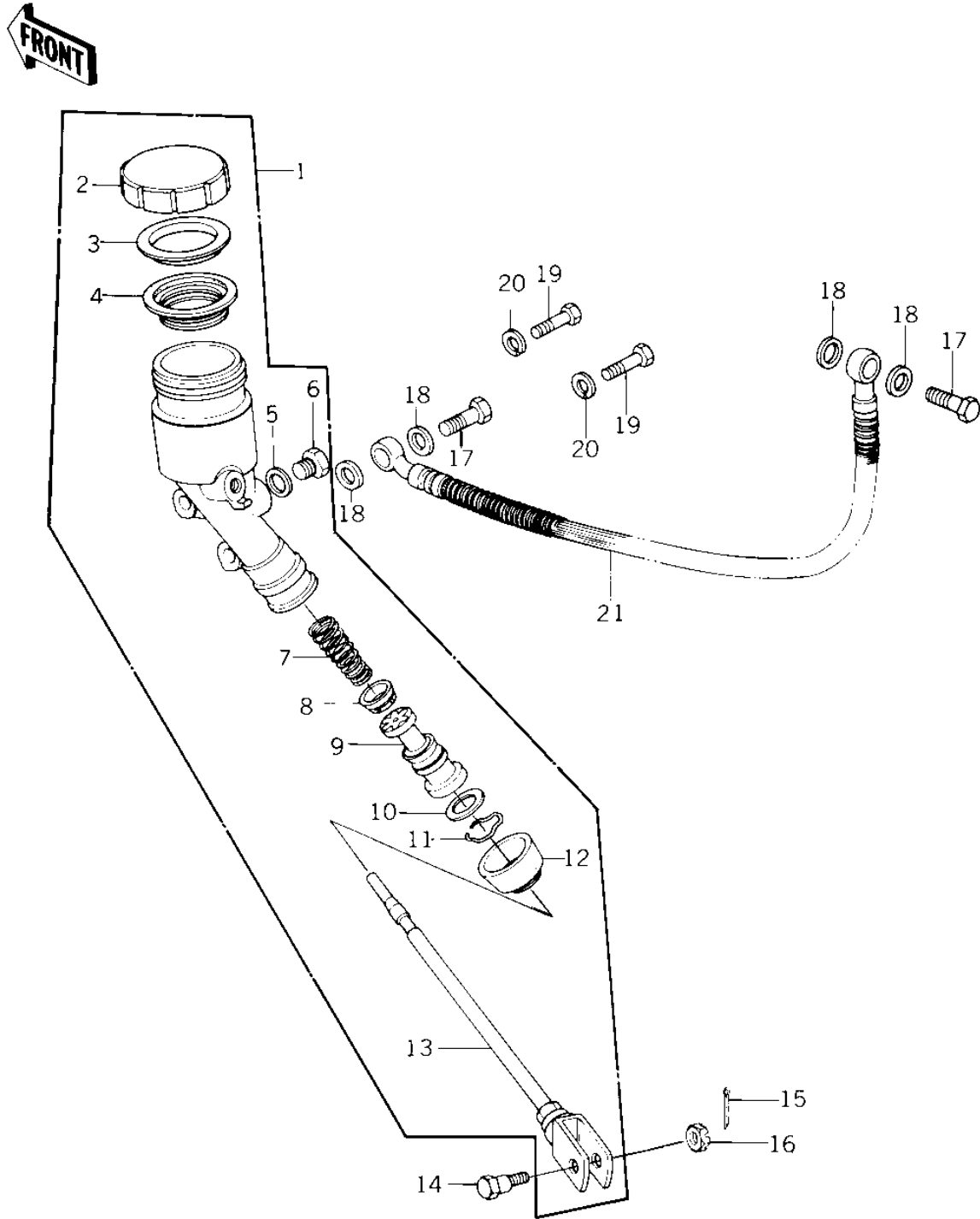


1979 Police 1000 PARTS DIAGRAM

REAR MASTER CYLINDER (KZ1000-C2)



102

KZ 1000

1979 Police 1000 PARTS LIST

REAR MASTER CYLINDER (KZ1000-C2)

ITEM NAME	PART NUMBER	QUANTITY
CYLINDER ASSY,REAR (Ref # 1)	43015-1016	1
CAP,OIL CUP (Ref # 2)	43026-004	1
PLATE-MASTER CYLINDE (Ref # 3)	43027-001	1
DIAPHRAGM (Ref # 4)	43028-003	1
'O'RING (Ref # 5)	43079-002	1
BOLT (Ref # 6)	92001-1073	1
SPRING ASSY, RETURN (Ref # 7)	43018-002	1
CUP, PRIMARY (Ref # 8)	43019-002	1
PISTON ASSY (Ref # 9)	43072-004	1
STOPPER,PISTON (Ref # 10)	43022-002	1
RING,DUST SEAL (Ref # 11)	43058-004	1
DUST COVER (Ref # 12)	43024-003	1
ROD,BRAKE (Ref # 13)	43011-1007	1
BOLT (Ref # 14)	92003-198	1
PIN COTTER 2.0X20 (Ref # 15)	550D2020	1
NUT CASTLE (Ref # 16)	321B0800	1
BOLT,OIL,L=23 (Ref # 17)	92002-1888	1
WASHER-OIL BOLT (Ref # 18)	43067-001	1
BOLT,FLANGED,8X35 (Ref # 19)	92001-1577	1
WASHER SPRING 8MM (Ref # 20)	461F0800	1
HOSE,REAR MASTER CYL (Ref # 21)	43059-031	1