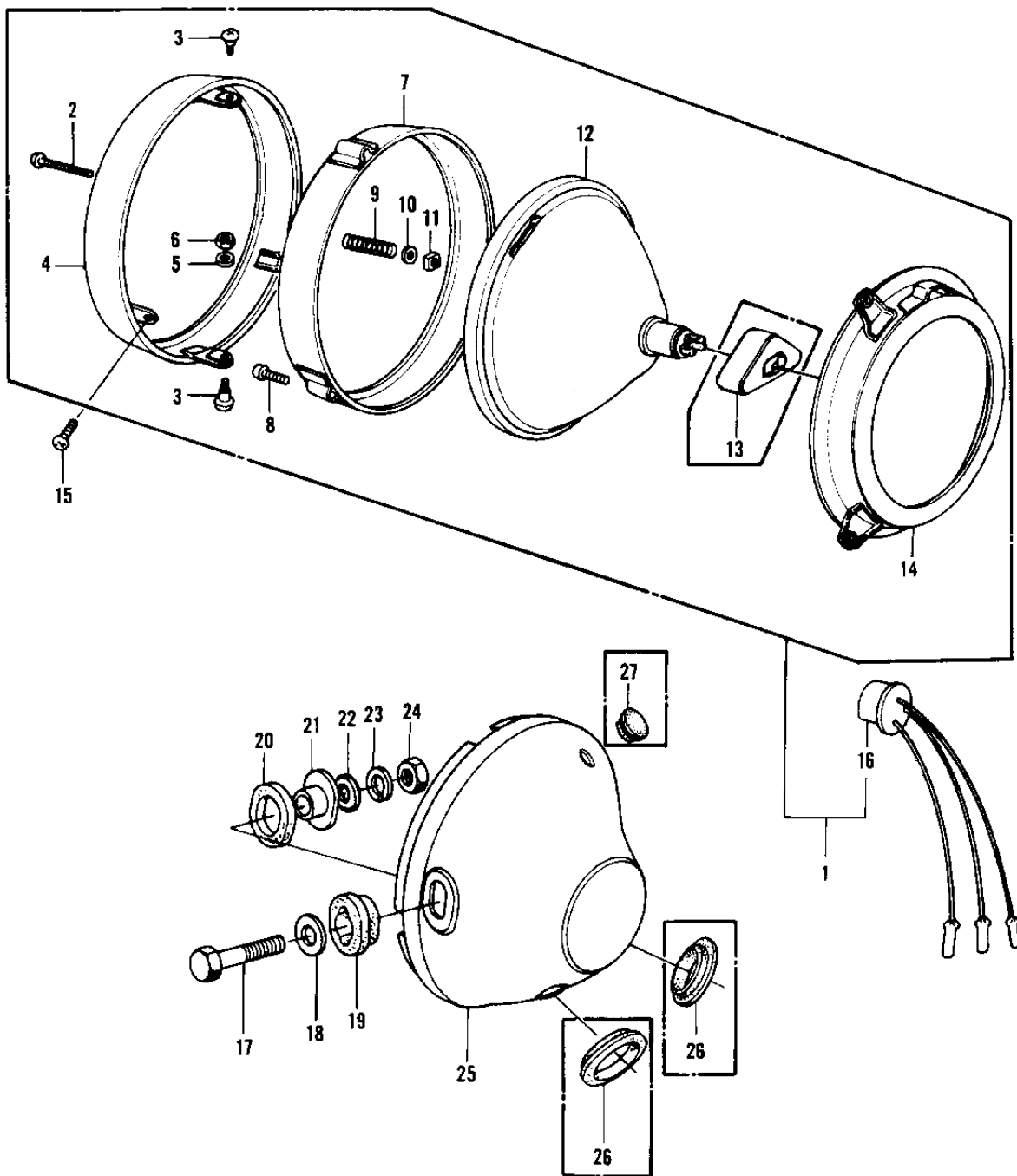


1977 1000 LTD PARTS DIAGRAM

HEADLIGHT ('77-'78 B1/B2)



1977 1000 LTD PARTS LIST

HEADLIGHT ('77-'78 B1/B2)

ITEM NAME	PART NUMBER	QUANTITY
UNAVAILABLE IN PRICE BOOK (Ref # 1)	23004-017	1
LAMP UNIT,HEAD (Ref # 1)	23004-1009	1
SCREW FORCUS ADJUST (Ref # 2)	23019-021	1
SCREW-PAN HEAD,5X12 (Ref # 3)	23019-023	1
RIM,HEAD LAMP (Ref # 4)	23006-038	1
WASHER-PLAIN,5MM (Ref # 5)	23021-012	1
NUT,HEAD LAMP RIM FIT (Ref # 6)	23020-023	2
RING,HEAD LAMP MOUNT (Ref # 7)	23072-001	1
SCREW PAN HEAD 3X12 (Ref # 8)	220B0312	1
SPRING FOCUS ADJUST (Ref # 9)	23014-005	1
WASHER (Ref # 10)	23021-004	1
NUT,4MM (Ref # 11)	23020-018	1
SEALD BEAM UNIT (Ref # 12)	23007-041	1
SEALED BEAM UNIT (Ref # 12)	23007-1006	1
DUST COVER,HEAD LAMP (Ref # 13)	49016-1009	1
RING,HEAD LAMP MOUNT (Ref # 14)	23074-001	1
SCREW,PAN HEAD,5X14 (Ref # 15)	23019-022	2
SOCKET ASSY,HEAD LAMP (Ref # 16)	23008-037	1
BOLT,10MM (Ref # 17)	92007-024	1
WASHER-PLAIN,10MM (Ref # 18)	411D1000	1
DAMPER RUBBER (Ref # 19)	23066-022	1
DAMPER RUBBER (Ref # 20)	23066-021	1
COLLAR (Ref # 21)	23052-010	1
WASHER PLAIN 10MM (Ref # 22)	410B1000	1
WASHER SPRING 10MM (Ref # 23)	461F1000	1
NUT 10MM (Ref # 24)	315B1000	1
BODY,HEAD LIGHT (Ref # 25)	23005-055	1
BODY-COMP-HEAD LAMP (Ref # 25)	23005-1016	2
GROMMET (Ref # 26)	92071-1008	1

1977 1000 LTD PARTS LIST

HEADLIGHT ('77-'78 B1/B2)

ITEM NAME	PART NUMBER	QUANTITY
PLUG REAR FENDER RUBB (Ref # 27)	92074-006	1