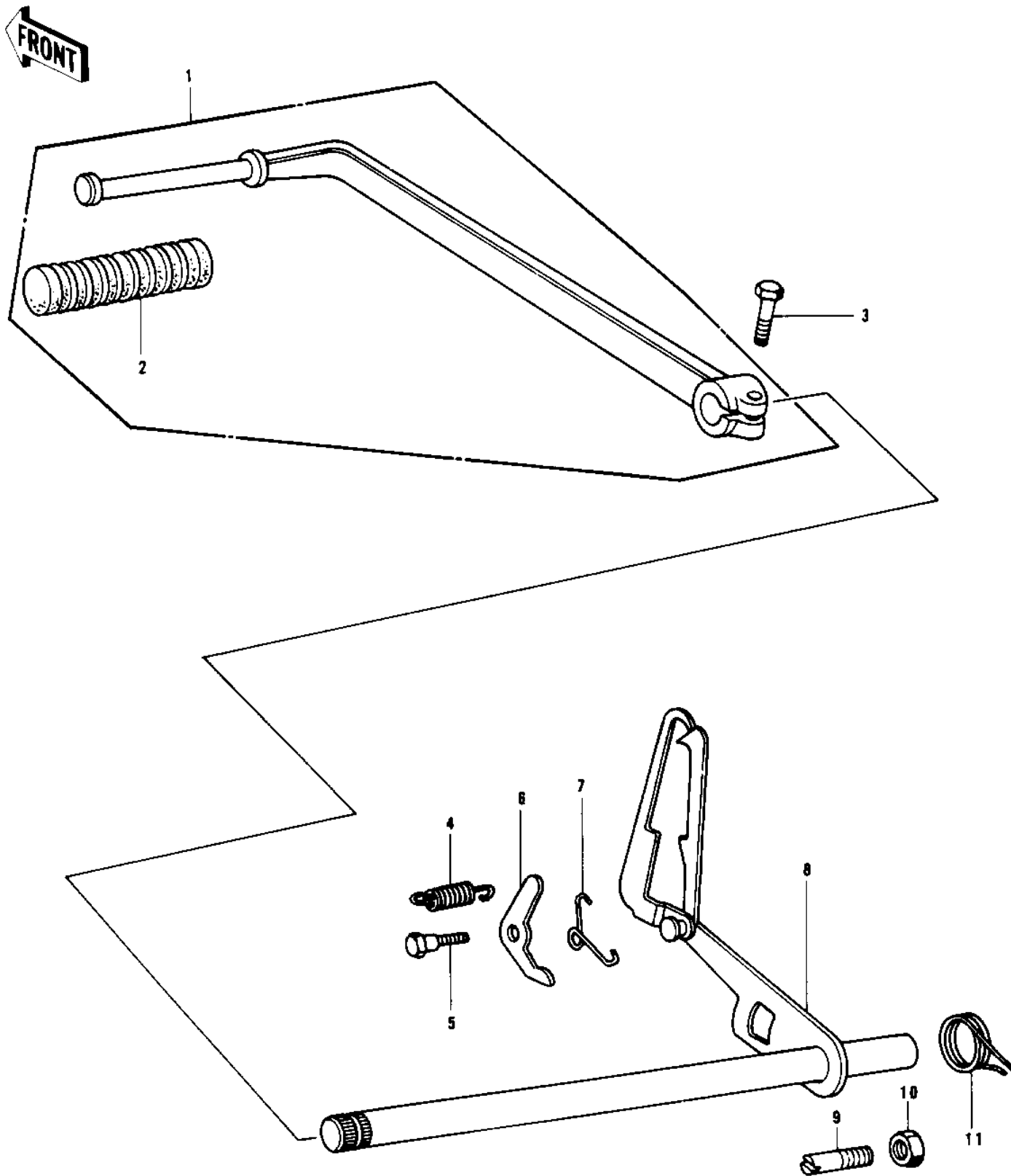


1977 1000 LTD PARTS DIAGRAM

GEAR CHANGE MECHANISM ('77-'78 B1/B2)



1977 1000 LTD PARTS LIST

GEAR CHANGE MECHANISM ('77-'78 B1/B2)

ITEM NAME	PART NUMBER	QUANTITY
LEVER-ASSY-CHANGE (Ref # 1)	13242-1100	1
DAMPER,CHANGE PEDAL (Ref # 2)	92160-1036	1
BOLT-UPSET (Ref # 3)	112N0620	1
SPRING CHNG DRUM LEV (Ref # 4)	92081-051	1
BOLT,CHANGE DRUM LEVE (Ref # 5)	92150-1450	1
LEVER,GEAR CHNG DRUM (Ref # 6)	13168-024	1
SPRING,KICK PAWL (Ref # 7)	92083-018	1
LEVER ASSY GEAR CHNG (Ref # 8)	13161-029	1
PIN CHANGE PEDAL SPRG (Ref # 9)	92043-057	1
NUT 8MM (Ref # 10)	312B0800	1
SPRING,CHG PEDL RTRN (Ref # 11)	92083-028	1