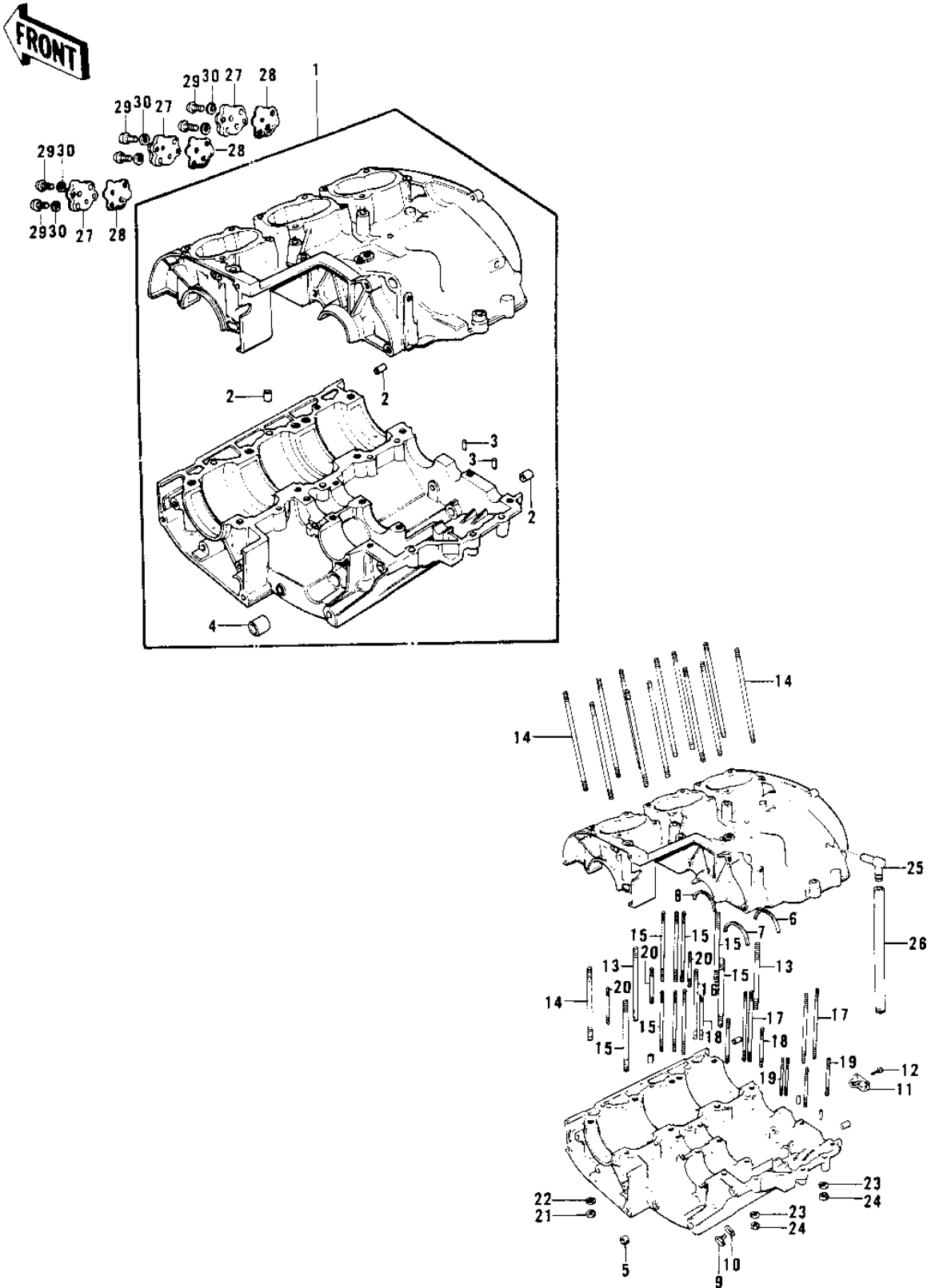


1972 PARTS DIAGRAM

CRANKCASE



1972 PARTS LIST

CRANKCASE

ITEM NAME	PART NUMBER	QUANTITY
CRANKCASE SET (Ref # 1)	14001-050	1
CRANKCASE SET (Ref # 1)	14001-063	1
PIN,DOWEL,10X8.2X14 (Ref # 2)	92043-1037	1
PIN DOWEL 6MM (Ref # 3)	92042-016	1
BUSH CHANGE PEDAL SHT (Ref # 4)	92028-071	1
OIL SEAL SB12205 (Ref # 5)	92049-004	1
RING-POSITIONING (Ref # 6)	14013-012	1
RING BEARING SETTING (Ref # 7)	14013-004	1
RING-BEARING SET (Ref # 8)	14013-013	1
PLUG OIL DRAIN (Ref # 9)	92067-001	1
GASKET CHECK VALVE (Ref # 10)	92065-058	1
RECEIVER OIL (Ref # 11)	14015-001	1
SCREW CNTSNK HD 6X16 (Ref # 12)	221B0616	1
STUD 10X90 (Ref # 13)	172G1090	1
STUD 10X75 (Ref # 14)	172G1075	1
STUD 10X60 (Ref # 15)	172G1060	1
STUD,6X80 (Ref # 16)	172G0680	1
STUD 6X75 (Ref # 17)	172G0675	1
STUD 6X50 (Ref # 18)	172G0650	1
STUD 6X35 (Ref # 19)	172G0635	1
STUD,6X30 (Ref # 20)	172G0630	1
NUT,10MM (Ref # 21)	317B1000	1
WASHER SPRING 10MM (Ref # 22)	461F1000	1
WASHER SPRING 6MM (Ref # 23)	461F0600	2
NUT 6MM (Ref # 24)	311B0600	1
BREATHER (Ref # 25)	14069-003	1
PIPE-BREATHER (Ref # 26)	92059-061	1
VALVE,CHECK (Ref # 27)	16128-008	1
GASKET,CHECK VALVE (Ref # 28)	14051-003	1

1972 PARTS LIST

CRANKCASE

ITEM NAME	PART NUMBER	QUANTITY
SCREW PAN HEAD 6X20 (Ref # 29)	220B0620	1