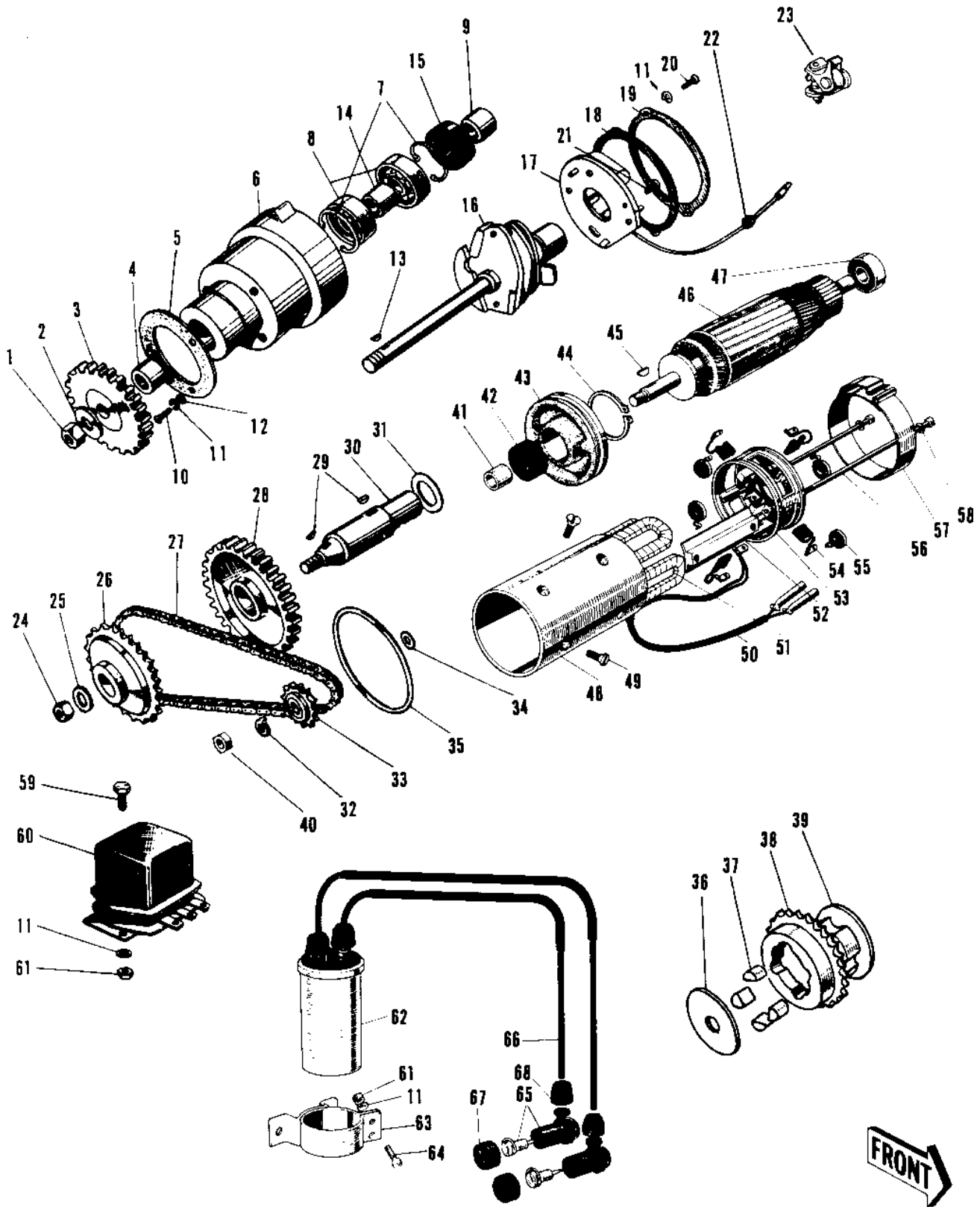


1966 W1 PARTS DIAGRAM

IGNITION/GENERATOR/REGULATOR



1966 W1 PARTS LIST

IGNITION/GENERATOR/REGULATOR

| ITEM NAME | PART NUMBER | QUANTITY |
|------------------------------------|-------------|----------|
| NUT BREAKER GEAR (Ref # 1) | 92017-001 | 1 |
| 10MM TONGUED LOCK WASHER (Ref # 2) | 420B1070 | 1 |
| GEAR CONTACT BREAKER (Ref # 3) | 21145-002 | 2 |
| COLLAR BREAKER C (Ref # 4) | 92027-076 | 1 |
| GASKET BREAKER CASE (Ref # 5) | 21138-001 | 1 |
| CASE CONTACT BREAKER (Ref # 6) | 21136-001 | 1 |
| CIRCLIP 30MM (Ref # 7) | 481J3000 | 1 |
| BEARING BALL #6200 (Ref # 8) | 601B6200 | 1 |
| BEARING BALL #6200ZZ (Ref # 8) | 92045-011 | 1 |
| COLLAR BREAKER A (Ref # 9) | 92027-074 | 1 |
| SCREW PAN HEAD 6X22 (Ref # 10) | 220B0622 | 1 |
| WASHER SPRING 6MM (Ref # 11) | 461F0600 | 1 |
| WASHER PLAIN 6MM (Ref # 12) | 410B0600 | 1 |
| WOODRUFF KEY GOV SHT (Ref # 13) | 92038-011 | 1 |
| COLLAR BREAKER (Ref # 14) | 92027-075 | 1 |
| OIL SEAL,SB18307 (Ref # 15) | 92049-013 | 1 |
| GOVERNOR (Ref # 16) | 21148-001 | 1 |
| BREAKER CONTACT (Ref # 17) | 21134-002 | 1 |
| GASKET BRK CASE COVER (Ref # 18) | 21139-001 | 1 |
| COVER CONTACT BRK CAS (Ref # 19) | 21137-001 | 1 |
| SCREW PAN HEAD 6X12 (Ref # 20) | 220B0612 | 1 |
| SCREW PAN HEAD 5X8 (Ref # 21) | 220B0508 | 2 |
| GROMMET BREAKER CORD (Ref # 22) | 92071-034 | 1 |
| NUT 12MM (Ref # 24) | 313G1200 | 2 |
| NUT,12MM (Ref # 24) | 314G1200A | 3 |
| WASHER PLAIN 12MM (Ref # 25) | 410B1200 | 1 |
| SPROCKET IDLE SHAFT (Ref # 26) | 21054-002 | 1 |
| CHAIN DYNAMO DRIVE (Ref # 27) | 21070-002 | 2 |
| GEAR ASSY IDLE (Ref # 28~30) | 12058-001 | 1 |

1966 W1 PARTS LIST

IGNITION/GENERATOR/REGULATOR

| ITEM NAME | PART NUMBER | QUANTITY |
|---|-------------|----------|
| WOODRUFF KEY IDLE GR (Ref # 29) | 92038-010 | 1 |
| SHIM IDLE SHAFT 2.2MM (Ref # 31) | 92025-022 | 1 |
| UNAVAILABLE IN PRICE BOOK (Ref # 31) | 92025-023 | 1 |
| UNAVAILABLE IN PRICE BOOK (Ref # 31) | 92025-024 | 1 |
| SHIM IDLE SHAFT 2.6MM (Ref # 31) | 92025-025 | 1 |
| UNAVAILABLE IN PRICE BOOK (Ref # 31) | 92025-026 | 1 |
| UNAVAILABLE IN PRICE BOOK (Ref # 31) | 92025-027 | 1 |
| UNAVAILABLE IN PRICE BOOK (Ref # 31) | 92025-028 | 1 |
| WASHER LOCK (Ref # 32) | 92030-003 | 1 |
| SPROCKET DYNAMO (Ref # 33) | 21068-001 | 1 |
| UNAVAILABLE IN PRICE BOOK (Ref # 34) | 21071-001 | 1 |
| SHIM SPROCKET 1.0MM (Ref # 34) | 21071-002 | 1 |
| SHIM SPROCKET 1.5MM (Ref # 34) | 21071-003 | 1 |
| SHIM SPROCKET 2.0MM (Ref # 34) | 21071-004 | 1 |
| UNAVAILABLE IN PRICE BOOK (Ref # 34) | 21071-005 | 1 |
| UNAVAILABLE IN PRICE BOOK (Ref # 34) | 21071-006 | 1 |
| SHIM SPROCKET 3.5 MM (Ref # 34) | 21071-007 | 1 |
| "O" RING,75MM (Ref # 35) | 671B2575 | 1 |
| PLATE DAMP RUBB HOLD (Ref # 36) | 21057-001 | 1 |
| RUBBER SPROCKET DAMP (Ref # 37) | 21064-001 | 1 |
| SPROCKET IDLE SHAFT (Ref # 38) | 21054-003 | 1 |
| BODY IDLE SHAFT SPCKT (Ref # 39) | 21055-004 | 1 |
| DYNAMO DF11 (Ref # 40~57) | 21001-021 | 3 |
| UNAVAILABLE IN PRICE BOOK (Ref # 41~44) | 21004-005 | 1 |
| WOODRUFF KEY DYNAMO (Ref # 45) | 21067-001 | 1 |
| ROTOR (Ref # 46) | 21007-008 | 1 |
| ROTOR ASSY (Ref # 46) | 21007-009 | 1 |
| COVER ASSY OYNAMO A (Ref # 53~55) | 21005-005 | 1 |
| CARBON BRUSH (Ref # 54) | 21039-002 | 1 |

1966 W1 PARTS LIST

IGNITION/GENERATOR/REGULATOR

| ITEM NAME | PART NUMBER | QUANTITY |
|----------------------------------|-------------|----------|
| SPRING CARBON BRUSH (Ref # 55) | 21040-002 | 1 |
| BOLT DYNAMO COVER (Ref # 56) | 21035-003 | 1 |
| BAND COMMUTATOR (Ref # 57) | 21036-001 | 1 |
| BOLT-UPSET,6X16 (Ref # 59) | 112G0616 | 1 |
| REGULATOR VOLTAGE (Ref # 60) | 21066-004 | 1 |
| REGULATOR VOLTAGE (Ref # 60) | 21066-009 | 1 |
| NUT 6MM (Ref # 61) | 311B0600 | 1 |
| COIL IGNITION (Ref # 62) | 21121-025 | 1 |
| CLAMP IGNITION COIL (Ref # 63) | 21122-002 | 1 |
| BOLT-UPSET 6X14 (Ref # 64) | 112B0614 | 1 |
| CAP-SPARK PLUG (Ref # 65) | 21130-016 | 2 |
| CORD HIGH TENSION (Ref # 66) | 21133-009 | 1 |
| GROMMET PLUG CAP A (Ref # 67) | 21131-002 | 1 |
| GROMMET-PLUG CAP,A (Ref # 67) | 21131-004 | 1 |
| GROMMET (Ref # 68) | 92071-517 | 1 |
| GROMMET,SPARK PLG CAP (Ref # 68) | 21132-005 | 1 |