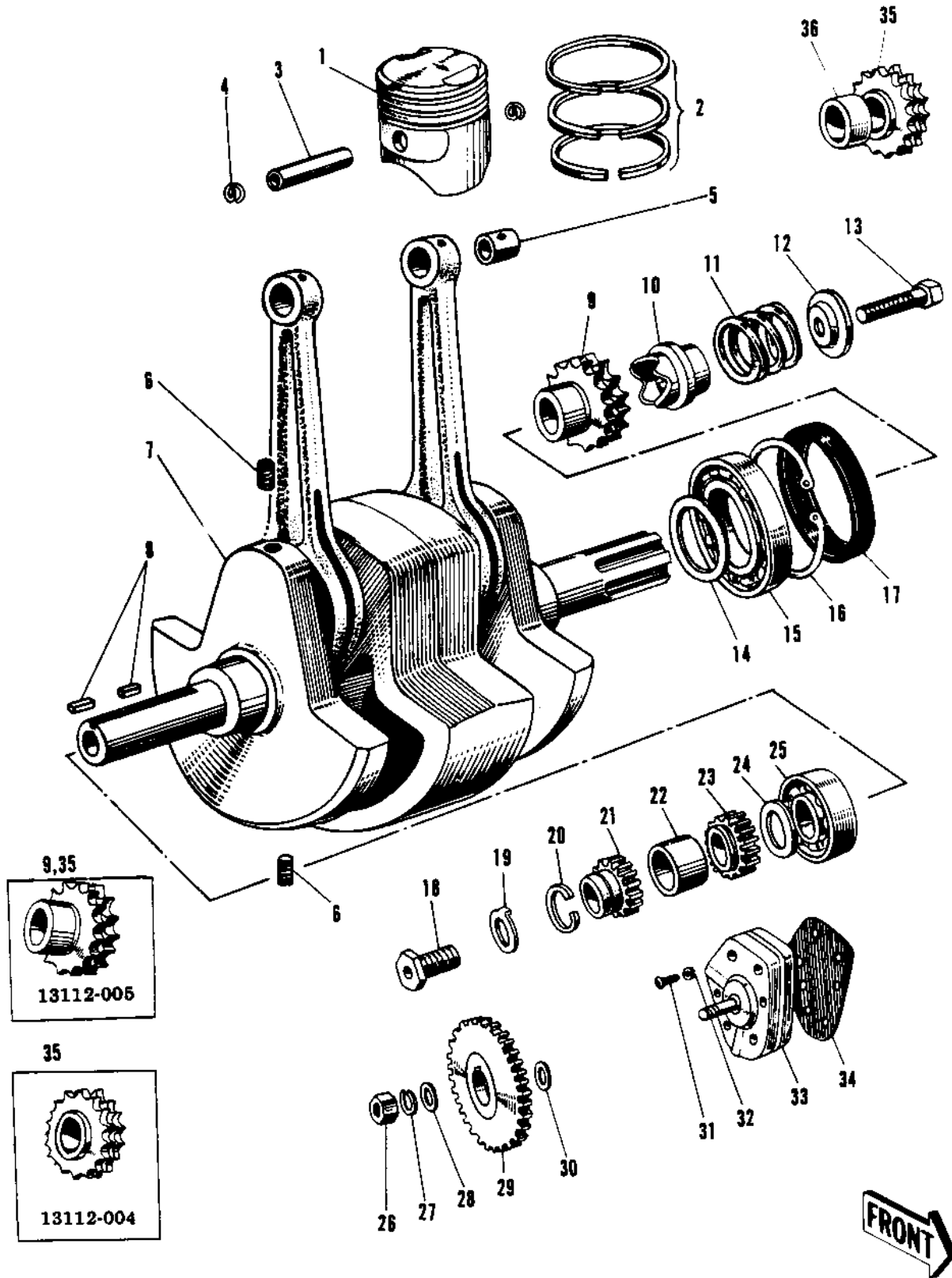


1966 W1 PARTS DIAGRAM

CRANKSHAFT/PISTONS/OIL PUMP



1966 W1 PARTS LIST

CRANKSHAFT/PISTONS/OIL PUMP

ITEM NAME	PART NUMBER	QUANTITY
PISTON STD (Ref # 1)	13001-025	1
RING SET STD (Ref # 2)	13008-018	1
PIN-PISTON (Ref # 3)	13002-012	1
UNAVAILABLE IN PRICE BOOK (Ref # 4)	92036-009	1
CIRCLIP PISTON PIN (Ref # 4)	92036-008	1
BUSH SMALL END (Ref # 5)	92028-030	1
SCREW SLOTTED (Ref # 8)	291H0816	1
CRANK - CONROD ASSY (Ref # 7)	13036-020	1
WOODRUFF KEY (Ref # 8)	511A0514	1
CRANKSHAFT SPROCKET (Ref # 9)	13112-003	1
CRANKSHAFT SPROCKET (Ref # 9)	13112-005	2
ABSORBER CHAIN SHOCK (Ref # 10)	13049-001	2
SPRING SHOCK ABSORBAR (Ref # 11)	92081-031	1
SEAT SPRING (Ref # 12)	13047-001	1
BOLT HEX HEAD 16X35 (Ref # 13)	113G1635	1
SHIM MAIN BEARING (Ref # 14)	92025-018	1
BEARING ROLLER BL307N (Ref # 15)	92045-015	3
CIRCLIP 80MM (Ref # 16)	481J8000	1
OIL SEAL SC458010 (Ref # 17)	92050-019	1
BOLT OIL PUMP PINION (Ref # 18)	92001-041	1
WASHER OIL PUMP LOCK (Ref # 19)	92030-002	1
RING OIL SEAL (Ref # 20)	16139-001	1
PINION OIL PUMP (Ref # 21)	16084-006	1
SPACER OL PUMP PINION (Ref # 22)	92026-032	1
PINION CRANKSHAFT (Ref # 23)	12062-001	1
UNAVAILABLE IN PRICE BOOK (Ref # 24)	92027-040	1
NUT,8MM (Ref # 28)	317G0800	1
WASHER SPRING 8MM (Ref # 27)	461F0800	1
WASHER PLAIN 8MM (Ref # 28)	410B0800	1

1966 W1 PARTS LIST

CRANKSHAFT/PISTONS/OIL PUMP

ITEM NAME	PART NUMBER	QUANTITY
GEAR OIL PUMP (Ref # 29)	16085-007	3
WASHER PLAIN (Ref # 30)	92022-147	1
SCREW PAN HEAD 6X55 (Ref # 31)	220B0655	1
WASHER SPRING 6MM (Ref # 32)	461F0600	1
OIL PUMP ASSY (Ref # 33)	16082-012	1
GASKET OIL PUMP (Ref # 34)	16094-005	1
CRANKSHAFT SPROCKET (Ref # 35)	13112-004	1
COLLAR CRANK SPROCKET (Ref # 36)	92027-047	1