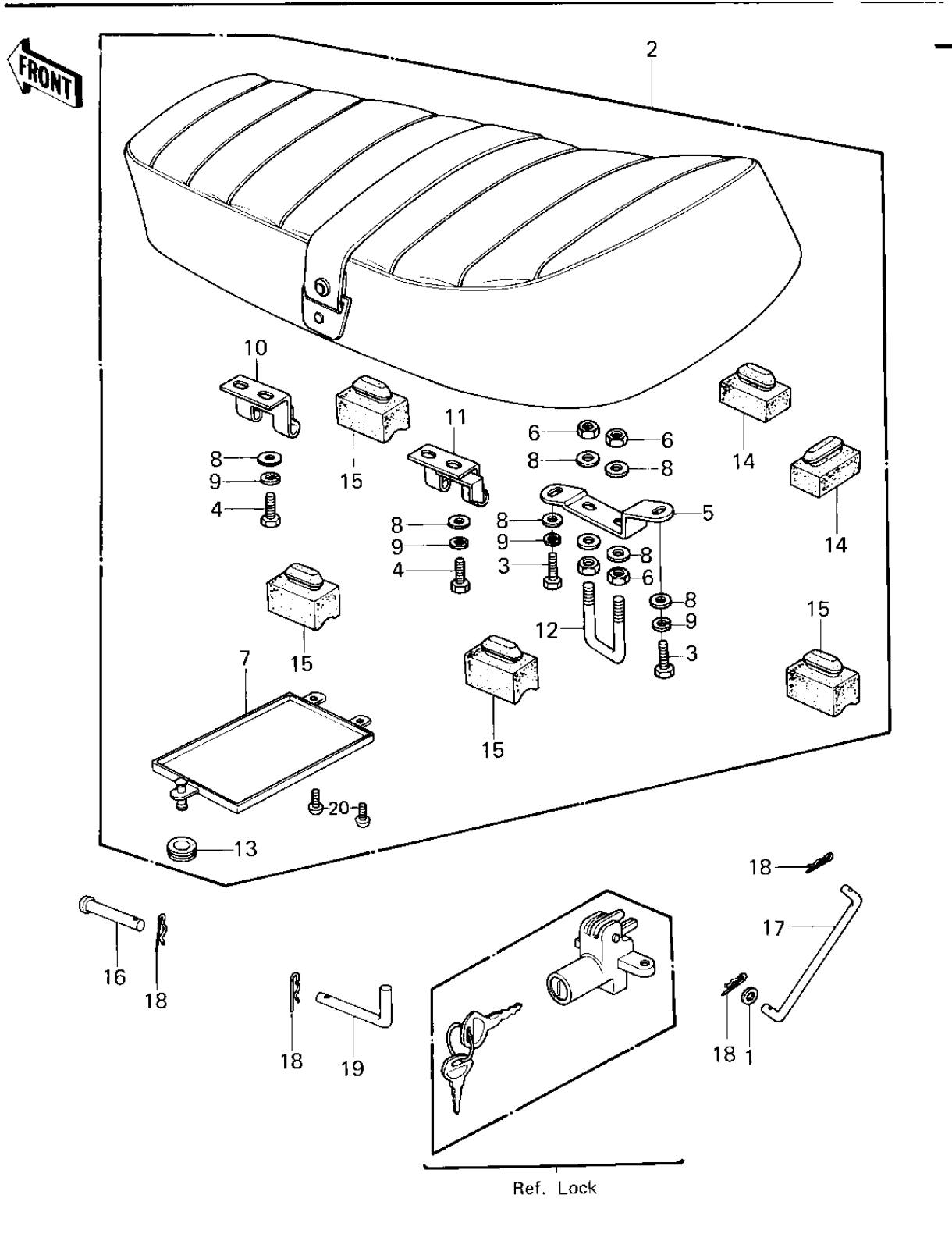


1980 650 LTD PARTS DIAGRAM

SEAT



1980 650 LTD PARTS LIST

SEAT

ITEM NAME	PART NUMBER	QUANTITY
WASHER PLAIN 6MM (Ref # 1)	410B0600	1
SEAT ASSY (Ref # 2)	53001-1135	1
BOLT-UPSET 6X14 (Ref # 3)	112B0614	1
BOLT-UPSET,6X16 (Ref # 4)	112G0616	1
BRACKET,SEAT (Ref # 5)	11034-1093	1
NUT 6MM (Ref # 6)	311B0600	1
CASE (Ref # 7)	32099-011	1
WASHER PLAIN 6MM (Ref # 8)	411B0600	1
WASHER SPRING 6MM (Ref # 9)	461F0600	1
HINGE (Ref # 10)	53009-016	1
HINGE,SEAT REAR (Ref # 11)	53009-1004	1
CATCH, SEAT (Ref # 12)	53056-002	1
GROMMET (Ref # 13)	92071-056	1
DAMPER RUBBER (Ref # 14)	92075-099	1
DAMPER RUBBER-SEAT (Ref # 15)	92075-156	1
PIN (Ref # 16)	53011-002	1
STOPPER,SEAT (Ref # 17)	53054-006	1
PIN,SNAP (Ref # 18)	554A0600	1
PIN,SEAT PIVOT (Ref # 19)	92043-1021	1
SCREW PAN HEAD 5X10 (Ref # 20)	220B0510	1