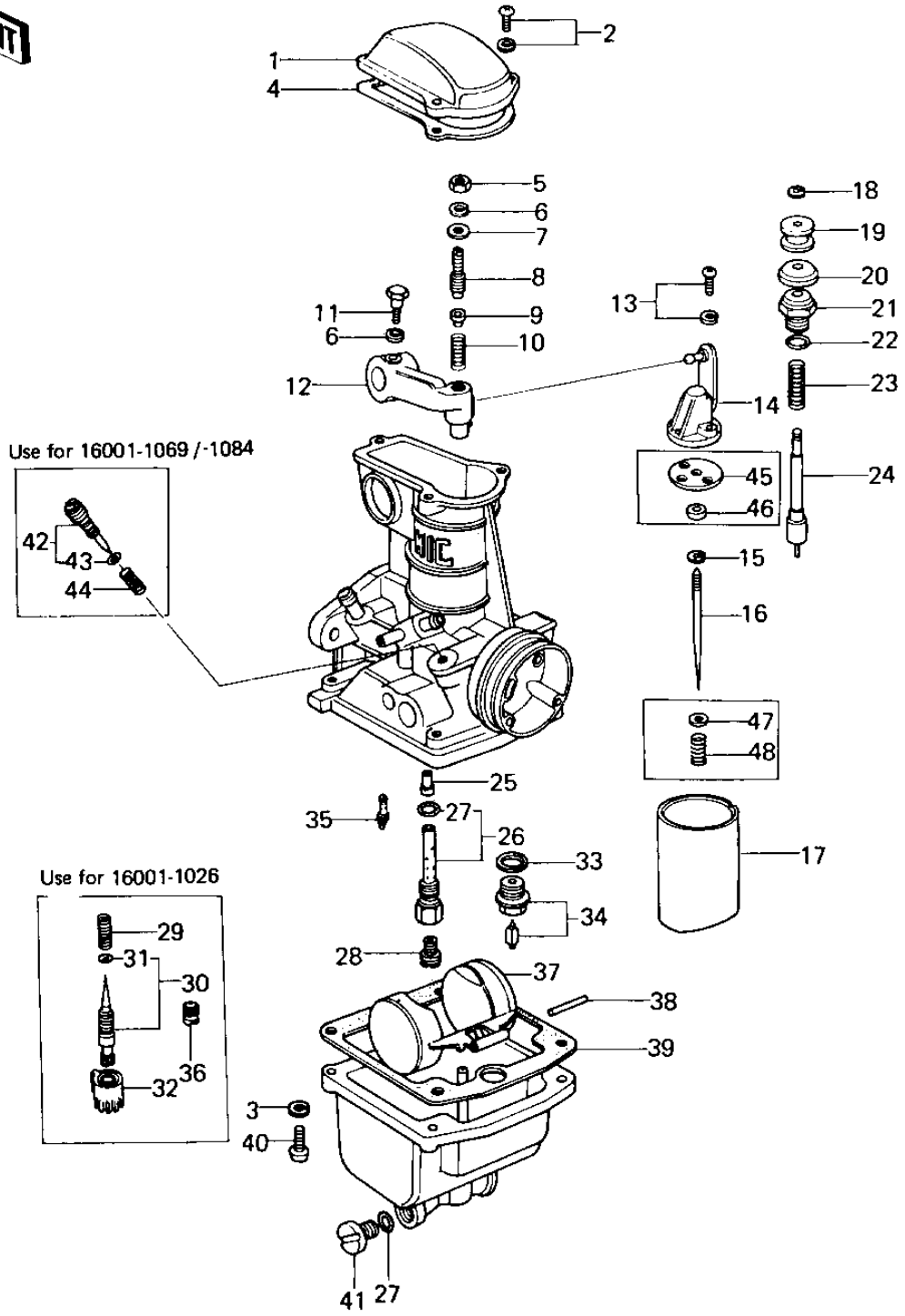


## 1978 650 SR PARTS DIAGRAM

CARBURETOR PARTS



## 1978 650 SR PARTS LIST

### CARBURETOR PARTS

ITEM NAME	PART NUMBER	QUANTITY
TOP,MIXING CHAMBER (Ref # 1)	16005-027	1
SCREW-PAN-WS-CROS (Ref # 2)	223B0414	1
WASHER SPRING 4MM (Ref # 3)	461F0400	1
GASKET,CHAMBER TOP (Ref # 4)	16019-031	1
NUT,5MM (Ref # 5)	16003-013	1
WASHER SPRING 5MM (Ref # 6)	461F0500	1
WASHER,PLAIN (Ref # 7)	16039-016	1
SCREW,SLOTTED (Ref # 8)	16046-012	1
SEAT,SPRING (Ref # 9)	16057-002	1
SPRING (Ref # 10)	16040-026	1
BOLT,HEX HEAD,5X14 (Ref # 11)	16067-006	1
LEVER,THROTTLE (Ref # 12)	39075-1001	1
SCREW,PAN HEAD,3X14 (Ref # 13)	16033-031	1
BRACKET,THROTTLE VALV (Ref # 14)	16007-028	1
CIRCLIP (Ref # 15)	16008-010	1
JET NEEDLE,5CN15 (Ref # 16)	16009-1013	1
VALVE,THROTTLE (Ref # 16)	16025-1006	1
CIRCLIP (Ref # 18)	16076-003	1
COLLAR (Ref # 19)	16073-014	1
CAP,STARTER PLUNGER (Ref # 20)	16039-015	1
CAP,STARTER PLUNGER (Ref # 21)	16012-015	1
UNAVAILABLE IN PRICE BOOK (Ref # 22)	67081509	1
SPRING,STARTER PLUG (Ref # 23)	16013-008	1
PLUNGER,STARTER (Ref # 24)	16016-021	1
NEEDLE JET,0-4 (Ref # 25)	16017-1021	1
PIPE,BLEED (Ref # 26)	16047-005	1
"O" RING,MAIN JET COV (Ref # 27)	16038-016	1
MAIN JET,#A102.5 (Ref # 28)	92063-1028	1
MAIN JET,#A100 (Ref # 28)	92063-1033	1

## 1978 650 SR PARTS LIST

### CARBURETOR PARTS

ITEM NAME	PART NUMBER	QUANTITY
MAIN JET,#A105R (Ref # 28)	92063-1042	1
JET-MAIN NO 107.5R (Ref # 28)	92063-073	1
MAIN JET NO 92.5R (Ref # 28)	92063-068	1
MAIN JET,#A95 (Ref # 28)	92063-1031	1
WASHER FLOAT VLV SEAT (Ref # 33)	16029-004	1
FLOAT VALVE ASSY (Ref # 34)	16030-1001	1
PILOT JET,#A15 (Ref # 35)	92064-1018	1
FLOAT (Ref # 37)	16031-031	1
FLOAT PIN (Ref # 38)	16032-003	1
GASKET,FLOAT CHAMBER (Ref # 39)	11009-1563	1
SCREW PAN HEAD 4X16 (Ref # 40)	220B0416	1
SCREW,GUIDE (Ref # 41)	16049-007	1
SCREW,AIR ADJUSTING (Ref # 42)	16014-1006	1
"O" RING (Ref # 43)	16038-022	1
SPRING-THR STOP SCREW (Ref # 44)	16022-007	1
PLATE,JET NEEDLE (Ref # 45)	13169-1107	1