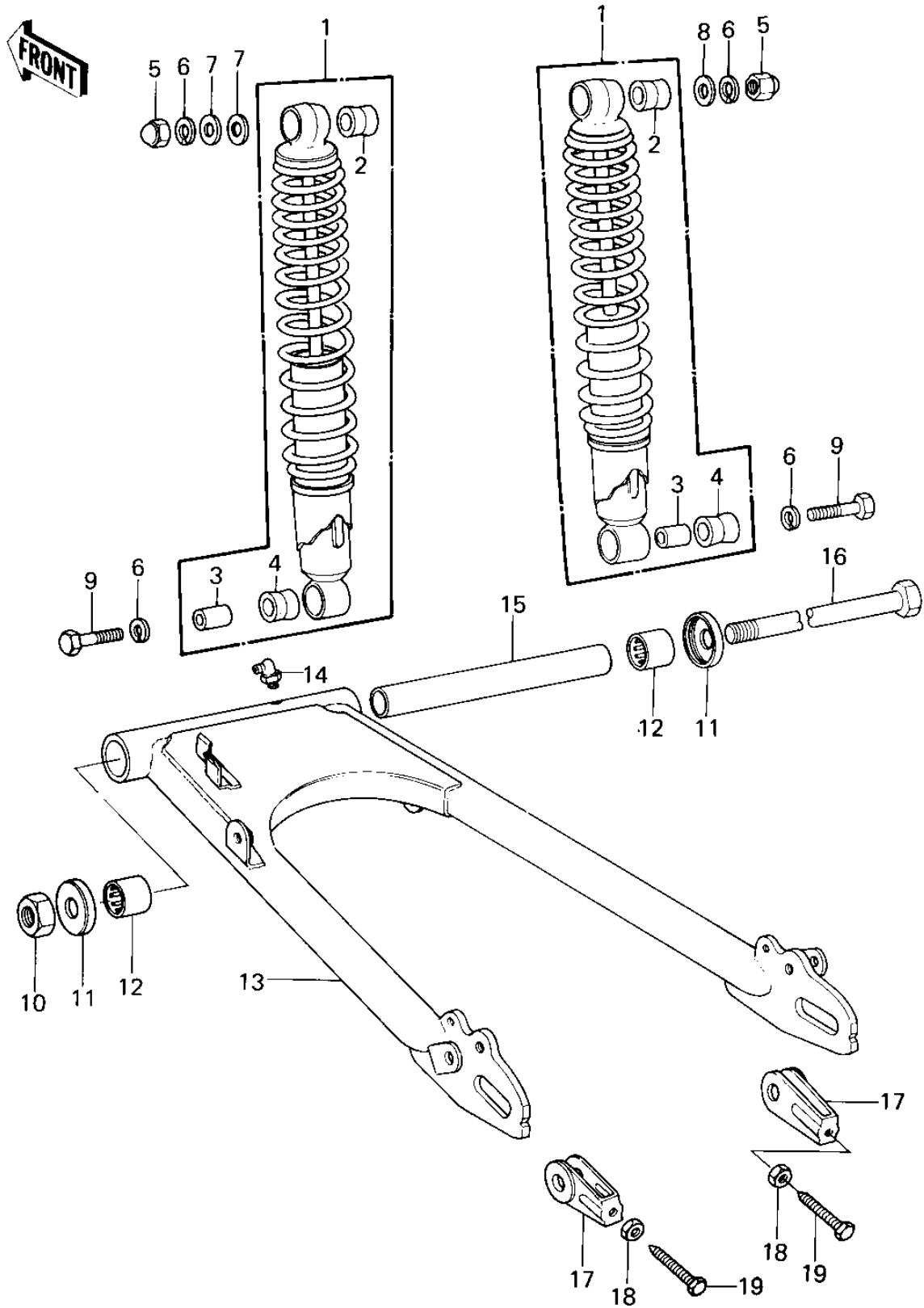


## 1980 KZ440 Standard PARTS DIAGRAM

SWING ARM/SHOCK ABSORBERS ('80 B1)



## 1980 KZ440 Standard PARTS LIST

SWING ARM/SHOCK ABSORBERS ('80 B1)

ITEM NAME	PART NUMBER	QUANTITY
SHOCK ABSBR RR (Ref # 1)	45014-1003	1
BUSHING,SHCK ABS RUB (Ref # 2)	45017-015	1
BUSHING,SHOCK ABSORB (Ref # 3)	45016-008	1
BUSHING, SHCK ABS RUB (Ref # 4)	45017-012	1
NUT SHOCK ABSORBER (Ref # 5)	92020-003	1
WASHER SPRING 10MM (Ref # 6)	461F1000	1
WASHER PLAIN 10MM (Ref # 7)	411B1000	1
WASHER,PLAIN (Ref # 8)	92022-1022	1
BOLT HEX HEAD 10X35 (Ref # 9)	113N1035	1
NUT-LOCK,14MM (Ref # 10)	92019-011	1
CAP,SWING ARM (Ref # 11)	11012-1029	1
BEARING-NEEDLE,HK2216 (Ref # 12)	92046-1115	1
ARM-COMP-SWING (Ref # 13)	33001-1106	1
GREASE NIPPLE (Ref # 14)	92005-002	1
SLEEVE,SWING ARM (Ref # 15)	42036-1017	1
SHAFT,SWING ARM (Ref # 16)	33032-1002	1
ADJUSTER-CHAIN (Ref # 17)	33040-043	1
NUT 8MM (Ref # 18)	312B0800	1
BOLT,8X50 (Ref # 19)	92001-1399	1