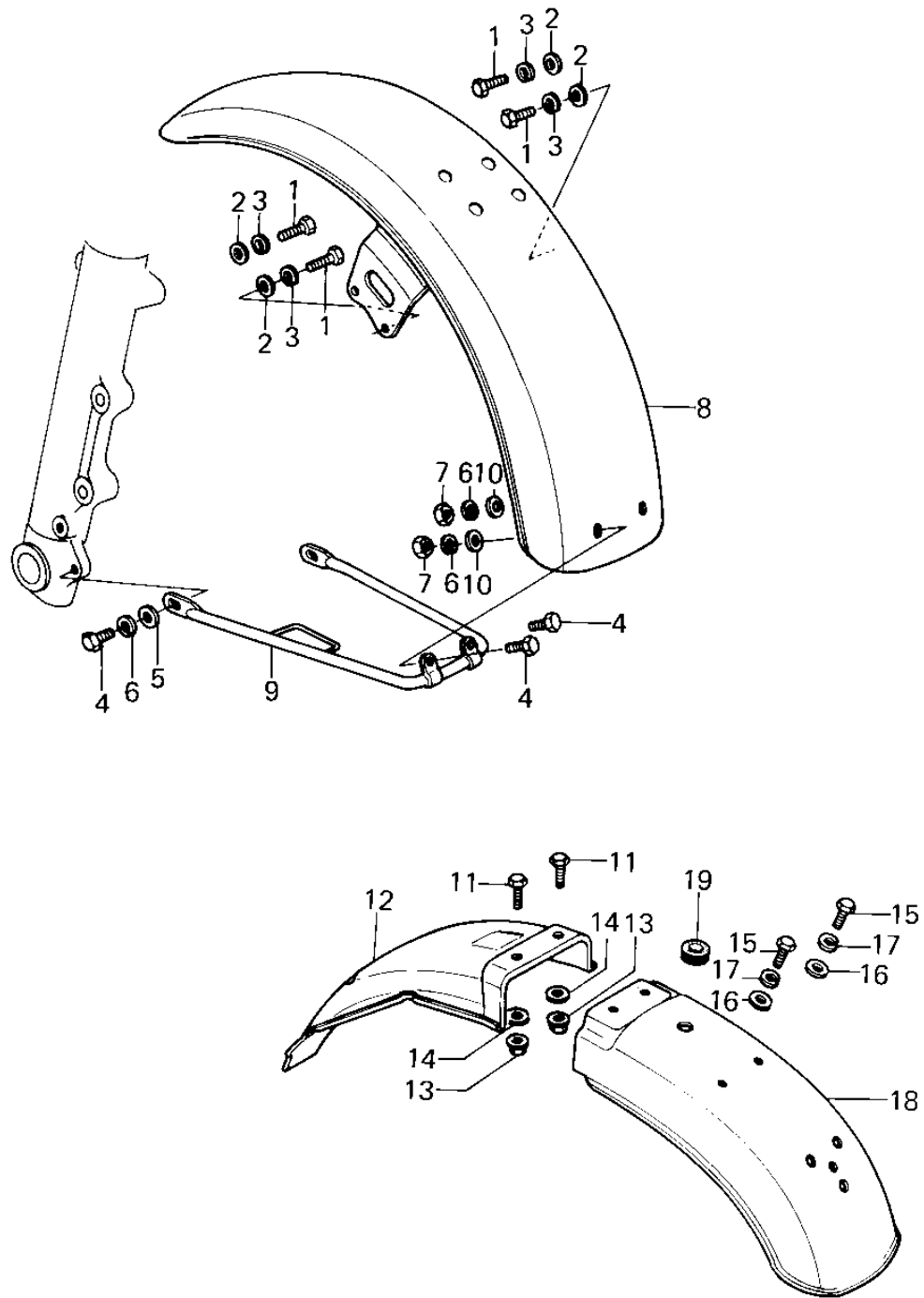


1979 400 LTD PARTS DIAGRAM

FENDERS



1979 400 LTD PARTS LIST

FENDERS

ITEM NAME	PART NUMBER	QUANTITY
BOLT-SMALL-UPSET,8X16 (Ref # 1)	115G0816	1
WASHER PLAIN 8MM (Ref # 2)	410B0800	1
WASHER SPRING 8MM (Ref # 3)	461F0800	1
BOLT-UPSET 6X14 (Ref # 4)	112B0614	2
WASHER PLAIN 6MM (Ref # 5)	411B0600	2
WASHER SPRING 6MM (Ref # 6)	461F0600	2
NUT 6MM (Ref # 7)	311B0600	1
FENDER-FR (Ref # 8)	35001-5014	1
STAY,FRONT FENDER (Ref # 9)	35011-1005	1
WASHER PLAIN (Ref # 10)	92022-024	1
BOLT-UPSET,6X16 (Ref # 11)	112G0616	1
FENDER-RR (Ref # 12)	35022-1034	1
NUT-6MM (Ref # 13)	92015-1078	1
WASHER 6.5X20X1.6T (Ref # 14)	92022-125	1
FENDER-RR (Ref # 18)	35022-1035	1
GROMMET HARNESS 10MM (Ref # 19)	92071-019	1