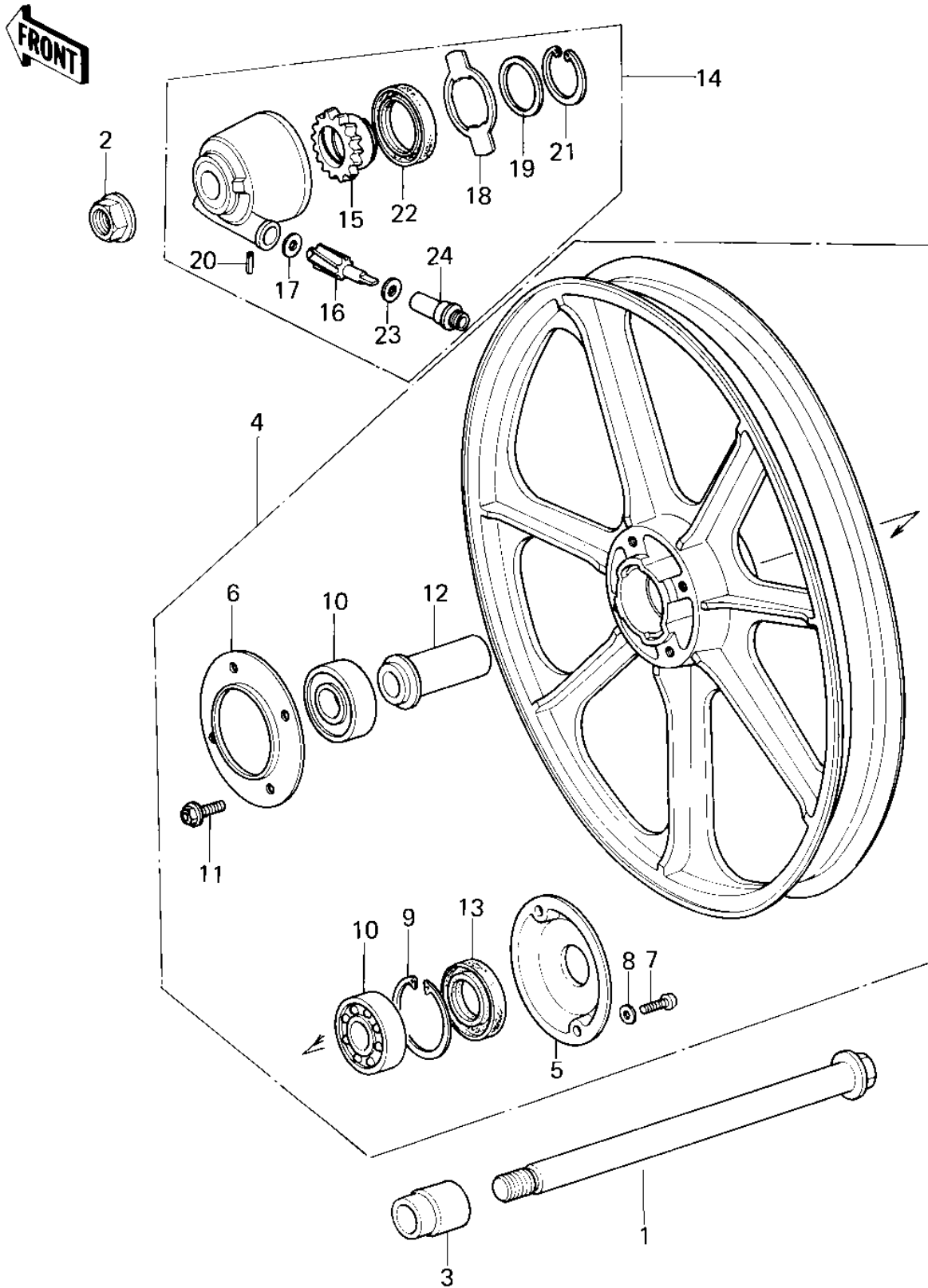


1979 400 LTD PARTS DIAGRAM

FRONT WHEEL/HUB



1979 400 LTD PARTS LIST

FRONT WHEEL/HUB

ITEM NAME	PART NUMBER	QUANTITY
AXLE,FR (Ref # 1)	41068-1099	1
NUT,14MM (Ref # 2)	92015-1407	1
COLLAR,FRONT AXLE (Ref # 3)	92027-1085	1
SOLID WHEEL ASSY,FRNT (Ref # 4)	41073-1041	1
COVER,DUST,R.H. (Ref # 5)	14025-1042	1
COVER,DUST,L.H. (Ref # 6)	14025-1043	1
SCREW-PAN-CROS (Ref # 7)	220B0514	1
WASHER PLAIN 5MM (Ref # 8)	411B0500	1
CIRCLIP,42MM (Ref # 9)	92033-1041	1
BEARING BALL #6302Z (Ref # 10)	601B6302Z	1
BOLT,8X28 (Ref # 11)	92001-1095	1
COLLAR,FRONT WHEEL (Ref # 12)	92027-1171	1
OIL SEAL,WTC22427 (Ref # 13)	92052-011	1
GEAR BOX ASSY,METER (Ref # 14)	41078-1005	1
GEAR,SPEEDOMETER,26T (Ref # 15)	41060-1015	1
PINION,SPEEDOMETER,9T (Ref # 16)	41060-1016	1
WASHER THRST SPD PINI (Ref # 17)	41063-001	2
RECEIVER,SPEED GEAR (Ref # 18)	41064-1005	1
WASHER THRUST (Ref # 19)	41065-006	1
PIN,SPRING (Ref # 20)	41082-001	1
CIRCLIP,22MM (Ref # 21)	480J2200	1
OIL SEAL,BJN30427-C3 (Ref # 22)	92049-1057	1
BUSHING,METER GEAR (Ref # 24)	92087-1002	1