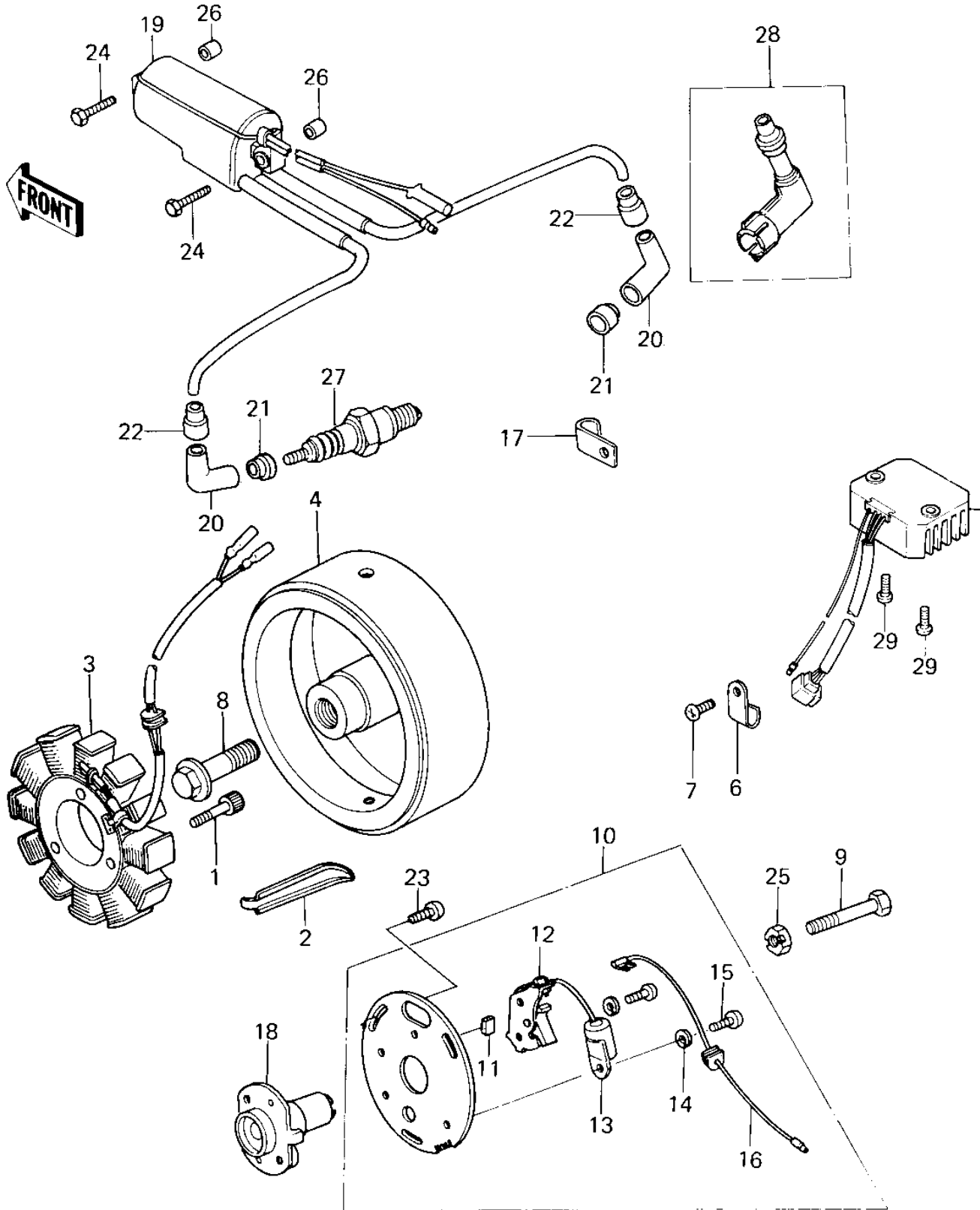


1979 400 LTD PARTS DIAGRAM

IGNITION/GENERATOR/REGULATOR



1979 400 LTD PARTS LIST

IGNITION/GENERATOR/REGULATOR

ITEM NAME	PART NUMBER	QUANTITY
BOLT,ALLEN,6X28 (Ref # 1)	120P0628	1
PLATE,LEAD CLAMP (Ref # 2)	13169-1008	1
STATOR.ASSY,GENERATER (Ref # 3)	21003-1009	1
FLYWHEEL (Ref # 4)	21050-1004	1
REGULATOR (Ref # 5)	21066-029	1
CLAMP,WIRING HARNESS (Ref # 6)	21126-008	2
SCREW PAN HEAD 6X10 (Ref # 7)	220B0610	1
BOLT,10X40 (Ref # 8)	92002-1303	1
BOLT-8X63 (Ref # 9)	92001-1397	1
BREAKER ASSY,CONTACT (Ref # 10)	21008-1014	1
FELT OIL (Ref # 11)	21019-005	1
BREAKER,CONTACT (Ref # 12)	21008-027	1
CONDENSER (Ref # 13)	21013-1004	1
WASHER SPRING 6MM (Ref # 14)	461F0600	1
SCREW PAN HEAD 4X6 (Ref # 15)	220B0406	1
WIRE,LEAD,BREAKER (Ref # 16)	26011-1030	1
GOVERNOR,BREAKER (Ref # 18)	21148-1002	1
COIL-IGNITION (Ref # 19)	21121-1174	1
CAP-SPARK PLUG,RTFM20 (Ref # 20)	21130-1007	1
GROMMET-PLUG CAP,A (Ref # 21)	21131-004	1
GROMMET,SPARK PLG CAP (Ref # 22)	21132-005	1
SCREW PAN HEAD 5X12 (Ref # 23)	220B0512	1
BOLT, IGNITION COIL (Ref # 24)	92003-170	1
WASHER,SPARK ADVANCER (Ref # 25)	92022-244	1
COLLAR,IGNITION COIL (Ref # 26)	92027-276	1
SPARK PLUG B7ES (Ref # 27)	B7ES	1
CAP,SPARK PLUG (Ref # 28)	21160-005	1
SCREW PAN HEAD 6X14 (Ref # 29)	220B0614	1