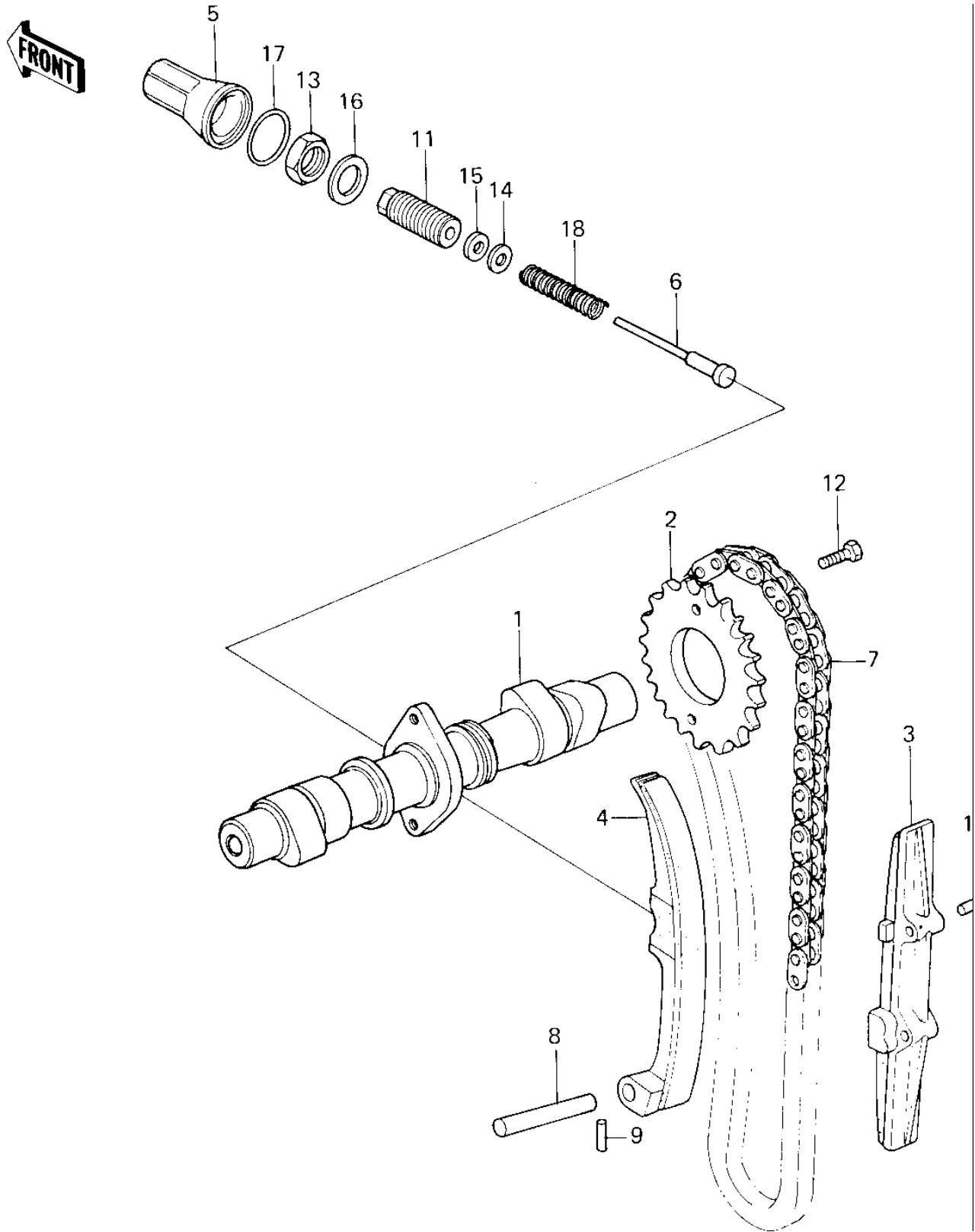


1979 400 LTD PARTS DIAGRAM

CAMSHAFT/CHAIN/TENSIONER



1979 400 LTD PARTS LIST

CAMSHAFT/CHAIN/TENSIONER

ITEM NAME	PART NUMBER	QUANTITY
CAMSHAFT,VALVE (Ref # 1)	12044-5001	1
SPROCKET,CAM,34T (Ref # 2)	12046-1002	1
GUIDE,CHAIN,REAR (Ref # 3)	12053-1042	1
GUIDE,CAM CHAIN (Ref # 4)	12053-1001	1
CAP,CAM CHAIN TENSION (Ref # 5)	12064-005	1
ROD,PUSH (Ref # 6)	13116-1003	1
CHAIN CAM (Ref # 7)	21070-004	1
SHAFT,CHAIN GUIDE (Ref # 8)	39115-1001	1
PIN,DOWEL,3X25 (Ref # 9)	551A0325	1
PIN,DOWEL,5X32 (Ref # 10)	551A0532	1
GUIDE,PUSH ROD (Ref # 11)	92001-1271	1
BOLT,SPROCKET FITTING (Ref # 12)	92003-208	1
NUT,LOCK (Ref # 13)	92016-054	1
WASHER,PLAIN (Ref # 14)	92022-1029	1
WASHER,PLAIN (Ref # 15)	92022-1030	1
WASHER,14X20X2 (Ref # 16)	92022-1040	1
"O" RING,22MM (Ref # 17)	92055-018	1
SPRING,CHAIN TENSINR (Ref # 18)	92081-131	1