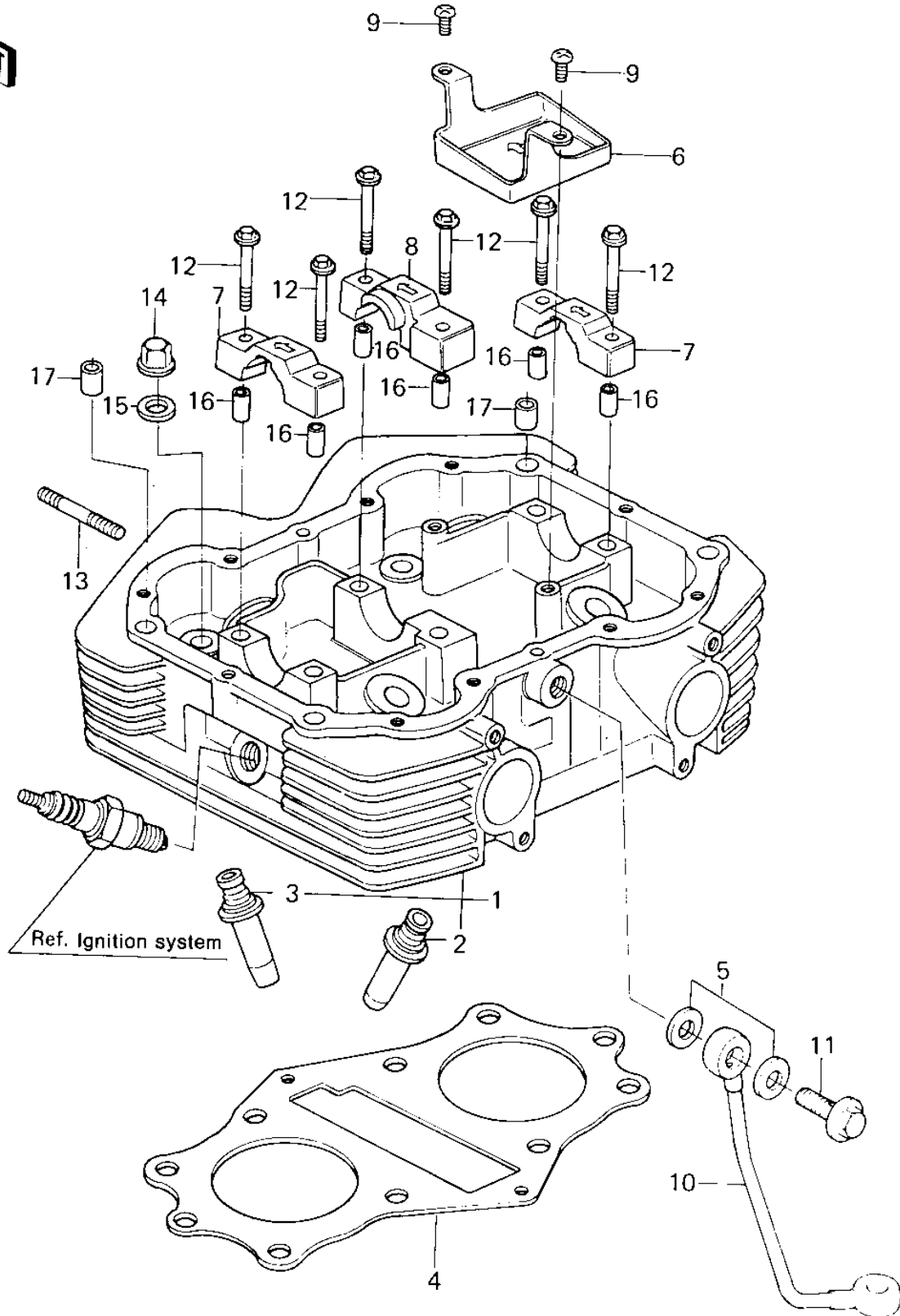


## 1979 400 LTD PARTS DIAGRAM

CYLINDER HEAD



## 1979 400 LTD PARTS LIST

### CYLINDER HEAD

ITEM NAME	PART NUMBER	QUANTITY
CYLINDER HEAD (Ref # 1)	11002-1003	1
GUIDE,INLET VALVE (Ref # 2)	12013-003	1
GUIDE,EXHAUST VALVE (Ref # 3)	49002-1010	1
GASKET,CYLINDER HEAD (Ref # 4)	11004-1008	1
GASKET,10X14.5X1.5 (Ref # 5)	11009-1105	1
CAP,CYLINDER HEAD OIL (Ref # 6)	11012-1027	1
CAP,BRG,HEAD,L.H&R.H (Ref # 7)	14022-1002	1
CAP,BRG.HEAD,CENTER (Ref # 8)	14022-1003	1
SCREW PAN HEAD 6X10 (Ref # 9)	220B0610	1
PIPE,OIL (Ref # 10)	32032-1084	1
BOLT,BANJO,10X25 (Ref # 11)	92001-1017	1
BOLT,HEX HEAD,6X38 (Ref # 12)	92003-206	1
STUD,6X46 (Ref # 13)	92004-049	1
NUT,CYLINDER HEAD (Ref # 14)	92015-076	1
WASHER,10.5X22X1.6 (Ref # 15)	92022-1005	1
PIN-DOWEL (Ref # 16)	92042-007	1
PIN,DOWEL,10X8.2X14 (Ref # 17)	92043-1037	1