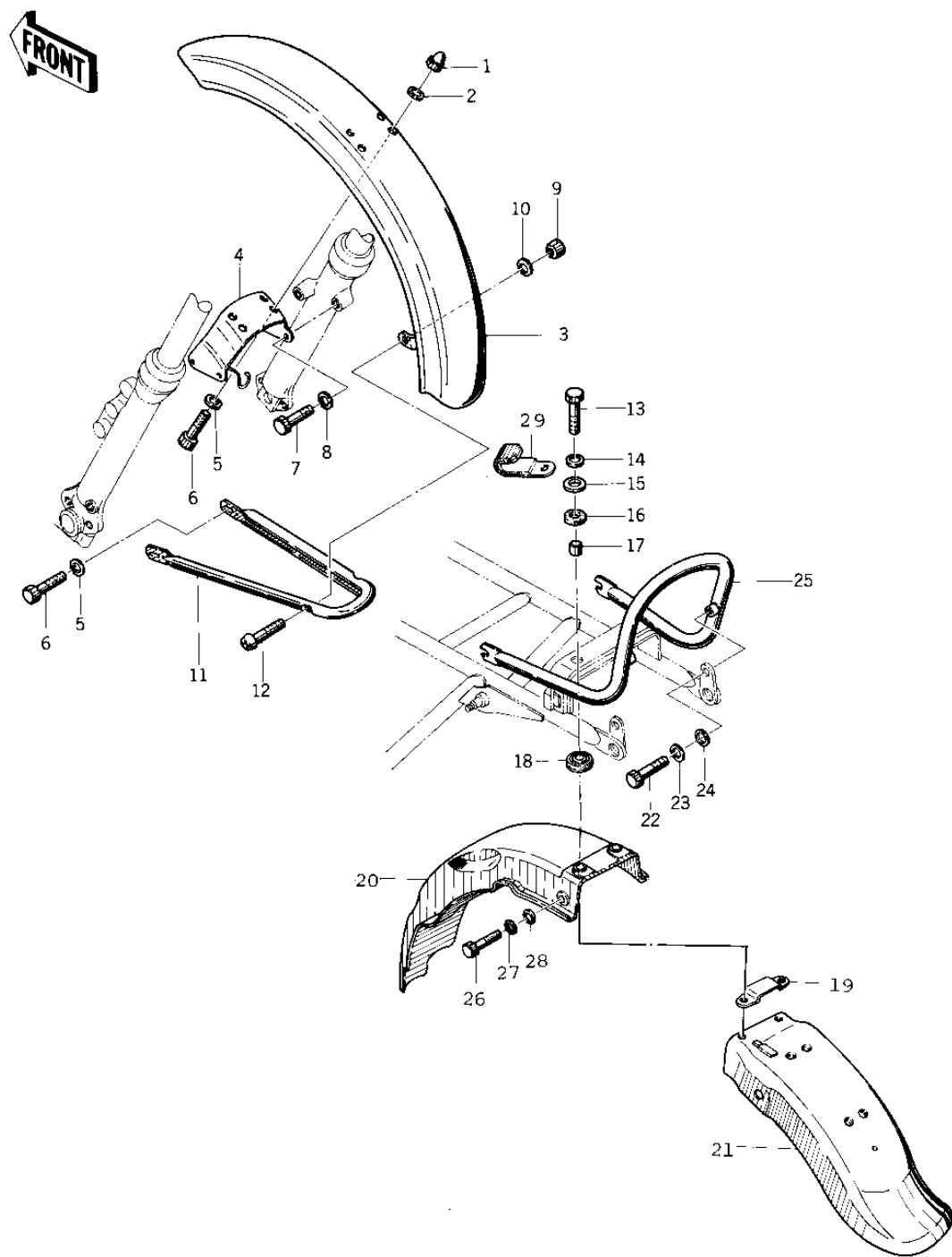


1976 KZ400 Standard PARTS DIAGRAM

FENDERS ('76-'77 KZ400 - D3/D4)



1976 KZ400 Standard PARTS LIST

FENDERS ('76-'77 KZ400 - D3/D4)

ITEM NAME	PART NUMBER	QUANTITY
NUT,6MM (Ref # 1)	92015-009	1
NUT-6MM (Ref # 1)	322N0600	2
WASHER PLAIN 6MM (Ref # 2)	411B0600	1
FENDER-FR (Ref # 3)	35004-095	1
BRACE,FRONT FENDER (Ref # 4)	35009-032	1
WASHER SPRING 6MM (Ref # 5)	461F0600	3
BOLT-UPSET,6X12 (Ref # 6)	112G0612	1
BOLT-SMALL-UPSET,8X16 (Ref # 7)	115G0816	1
WASHER SPRING 8MM (Ref # 8)	461F0800	2
NUT,5MM (Ref # 9)	311B0500	1
WASHER SPRING 5MM (Ref # 10)	461F0500	1
STAY,FRONT FENDER (Ref # 11)	35010-027	1
SCREW OVL CNTSNK 5X16 (Ref # 12)	222E0516A	1
SCREW,OVL CNTSNK,5X20 (Ref # 12)	222E0520A	1
BOLT-UPSET (Ref # 13)	112G0625	1
WASHER,PLAIN,7MM (Ref # 15)	92022-228	2
RUBBER,FENDER COVER (Ref # 16)	92075-174	1
COLLAR,REAR FENDER (Ref # 17)	92027-162	1
COLLAR (Ref # 17)	92027-241	1
DAMPER RUBBER (Ref # 18)	92075-175	1
PLATE,REAR FENDER (Ref # 19)	35042-003	1
FENDER-RR (Ref # 20)	35022-138	1
FENDER-RR (Ref # 21)	35022-114	1
BOLT-SMALL-UPSET,8X14 (Ref # 22)	115B0814	1
WASHER PLAIN 8MM (Ref # 24)	411B0800	1
STAY,REAR FENDER (Ref # 25)	35032-029	1
STAY,REAR FENDER (Ref # 25)	35032-042	1
BOLT-UPSET (Ref # 26)	112G0618	1
CLAMP,WIRING HARNESS (Ref # 29)	21126-008	2