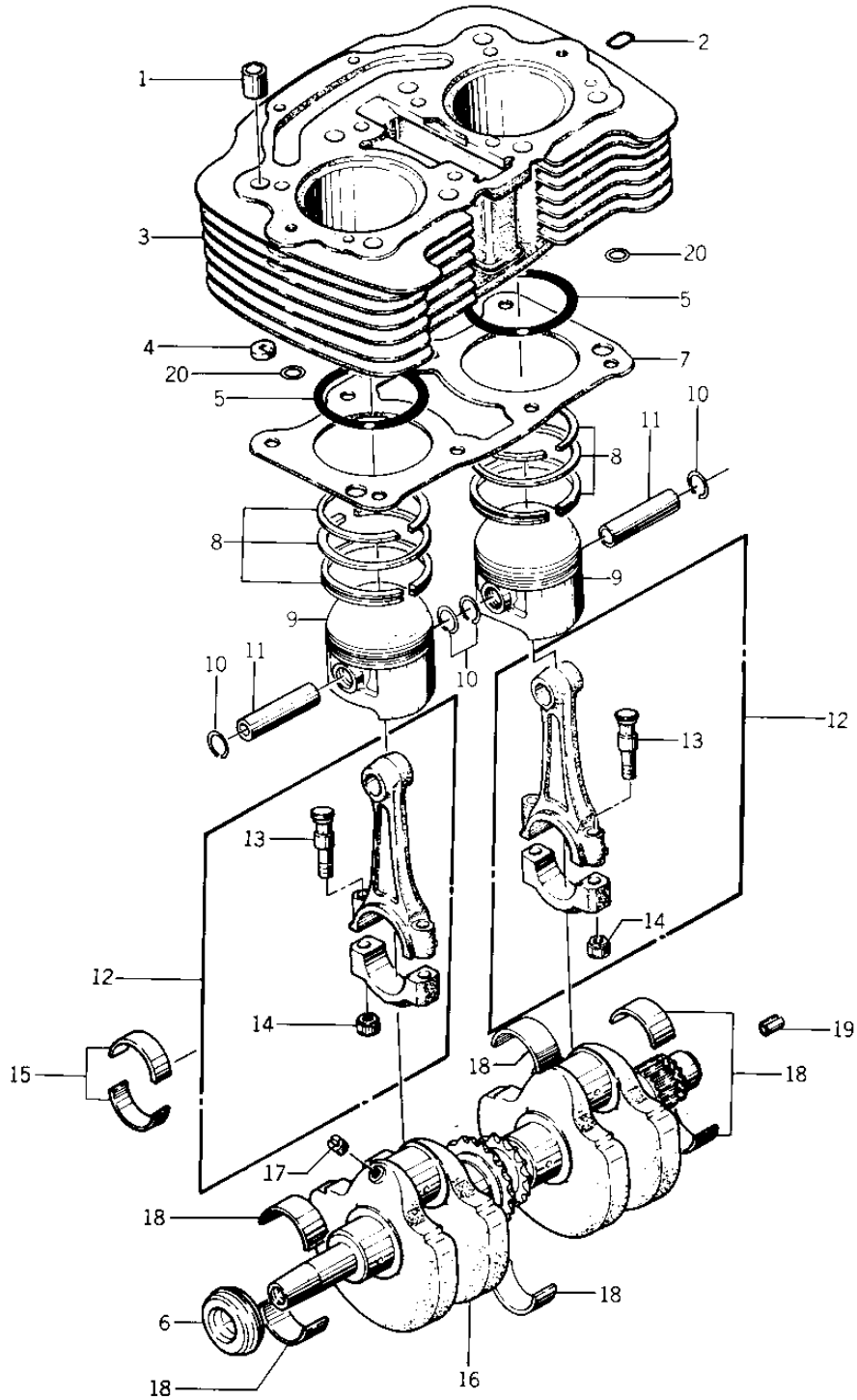


1976 KZ400 Standard PARTS DIAGRAM

CYLINDER/PISTONS/CRANKSHAFT ('76-'77 K)



1976 KZ400 Standard PARTS LIST

CYLINDER/PISTONS/CRANKSHAFT ('76-'77 K)

ITEM NAME	PART NUMBER	QUANTITY
PIN,DOWEL,14MM (Ref # 1)	92042-032	1
"O" RING,CYLINDER (Ref # 2)	11009-1012	1
CYLINDER, (Ref # 3)	11005-146	1
DAMPER RUBBER,CYLNDR (Ref # 4)	92075-256	1
"O" RING (Ref # 5)	92055-056	1
OIL SEAL,L.H CRNKSFT (Ref # 6)	92050-064	1
GASKET,CYLINDER BASE (Ref # 7)	11009-040	1
RING SET,PISTON,STD (Ref # 8)	13008-5028	2
RING SET,0.020",O/S (Ref # 8)	13025-5013	2
RING SET,0.040",O/S (Ref # 8)	13024-5012	2
PISTON,STD (Ref # 9)	13001-078	1
PISTON,0.020'O.S (Ref # 9)	13029-073	1
PISTON,0.040'O.S (Ref # 9)	13027-066	1
CIRCLIP PISTON PIN (Ref # 10)	92036-005	1
PIN-PISTON (Ref # 11)	13002-029	1
CONNECTING ROD ASSY,H (Ref # 12)	13032-046-HH	4
CONNECTING ROD ASSY,I (Ref # 12)	13032-046-II	1
CONNECTING ROD ASSY,J (Ref # 12)	13032-046-JJ	1
UNAVAILABLE IN PRICE BOOK (Ref # 12)	13032-046-KK	1
BOLT (Ref # 13)	92001-169	2
NUT,FLANGED,8MM (Ref # 14)	92015-1311	1
METAL,CONROD BEARING (Ref # 15)	13034-037	1
METAL,CON ROD (Ref # 15)	13034-047	1
METAL,CON ROD (Ref # 15)	13034-048	1
CRANKSHAFT ASSY (Ref # 16)	13037-061	1
SCREW,SLOTTED,6X8 (Ref # 17)	291H0608	1
BUSHING,CRANKSHAFT (Ref # 18)	92028-1102	4
PIN-SPRING,4X8 (Ref # 19)	555A0408	1
"O" RING (Ref # 20)	92055-074	1

1976 KZ400 Standard PARTS LIST

CYLINDER/PISTONS/CRANKSHAFT ('76-'77 K)

ITEM NAME	PART NUMBER	QUANTITY
"O" RING (Ref # 20)	92055-090	1