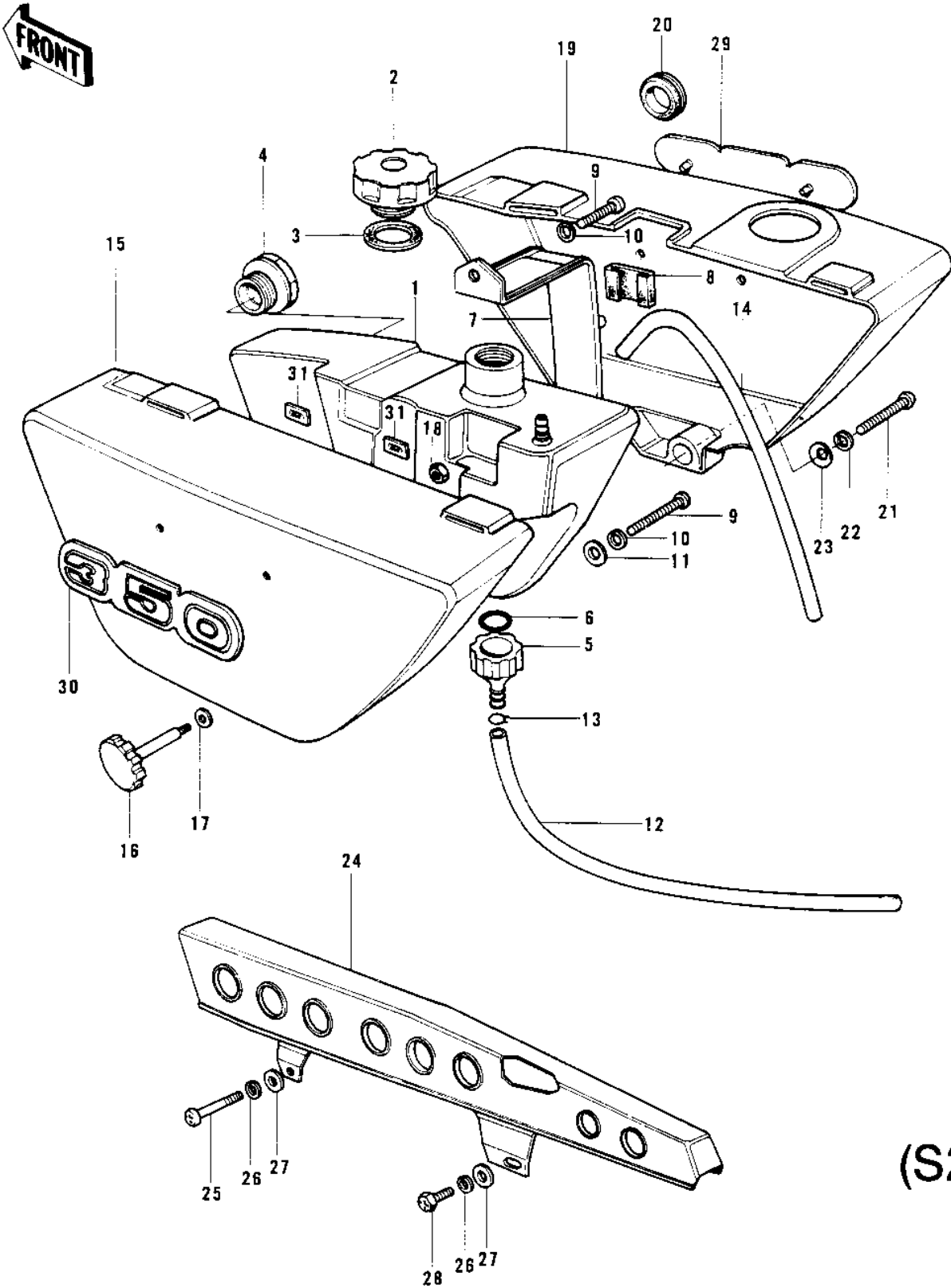


## 1972 S2 PARTS DIAGRAM

SIDE COVERS/OIL TANK/CHAIN COVER (S2-A)



## 1972 S2 PARTS LIST

SIDE COVERS/OIL TANK/CHAIN COVER (S2-A)

ITEM NAME	PART NUMBER	QUANTITY
TANK-OIL (Ref # 1)	52001-033	1
CAP-OIL TANK (Ref # 2)	52003-020	1
GASKET-OIL TANK (Ref # 3)	92065-086	1
GAUGE-OIL LEVEL (Ref # 4)	52015-005	1
FILTER-OIL (Ref # 5)	52020-001	1
"O" RING,15MM (Ref # 6)	670B2015	1
BAND-OIL TANK (Ref # 7)	52018-002	1
DAMPER RUBBER-OIL TNK (Ref # 8)	31082-010	1
SCREW PAN HEAD 6X14 (Ref # 9)	220B0614	1
WASHER SPRING 6MM (Ref # 10)	461F0600	3
WASHER PLAIN 6MM (Ref # 11)	411B0600	1
PIPE-OIL (Ref # 12)	92059-072	1
CLAMP FUEL PIPE (Ref # 13)	92037-010	1
TUBE-VINYL,5X600 (Ref # 14)	700Q05600	1
COVER-L.H SIDE,ORANGE (Ref # 15)	36001-039-91	1
COVER-L.H SIDE,C.BLUE (Ref # 15)	36001-039-93	1
KNOB (Ref # 16)	92077-020	1
DAMPER RUBB SIDE COV (Ref # 17)	92075-041	1
NUT 6MM (Ref # 18)	312B0600	1
COVER,RH SIDE,ORANGE (Ref # 19)	36007-031-91	1
COVER,RH SIDE,C.BLUE (Ref # 19)	36007-031-93	1
GROMMET-R.H SIDE COV (Ref # 20)	92071-065	1
SCREW-PAN HEAD, 6X35 (Ref # 21)	220E0635	1
WASHER-PLAIN,6MM (Ref # 23)	411D0600	1
CASE-CHAIN,FR BLACK (Ref # 24)	36014-040-21	1
SCREW PAN HEAD 6X55 (Ref # 25)	220E0655	1
WASHER-PLAIN (Ref # 27)	92022-193	1
BOLT,HEX HEAD,6X14 (Ref # 28)	92001-121	1
EMBLEM-R.H SIDE COVER (Ref # 29)	56018-135	1

## 1972 S2 PARTS LIST

SIDE COVERS/OIL TANK/CHAIN COVER (S2-A)

ITEM NAME	PART NUMBER	QUANTITY
EMBLEM-L.H SIDE COVER (Ref # 30)	56018-136	1
NUT,LOCK,3MM (Ref # 31)	92018-005	1