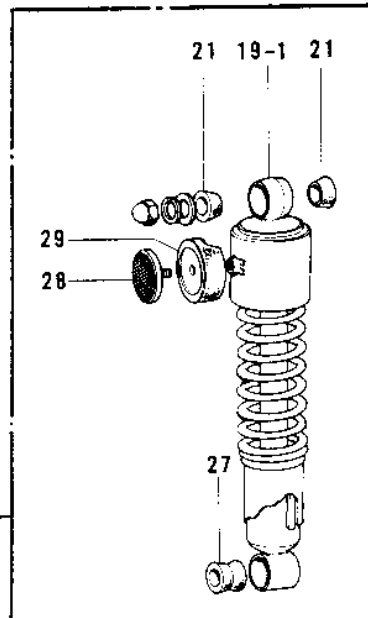
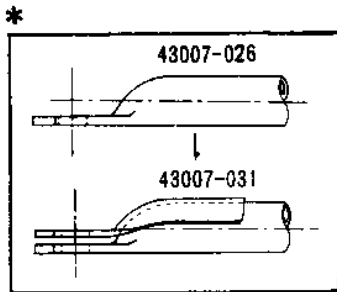
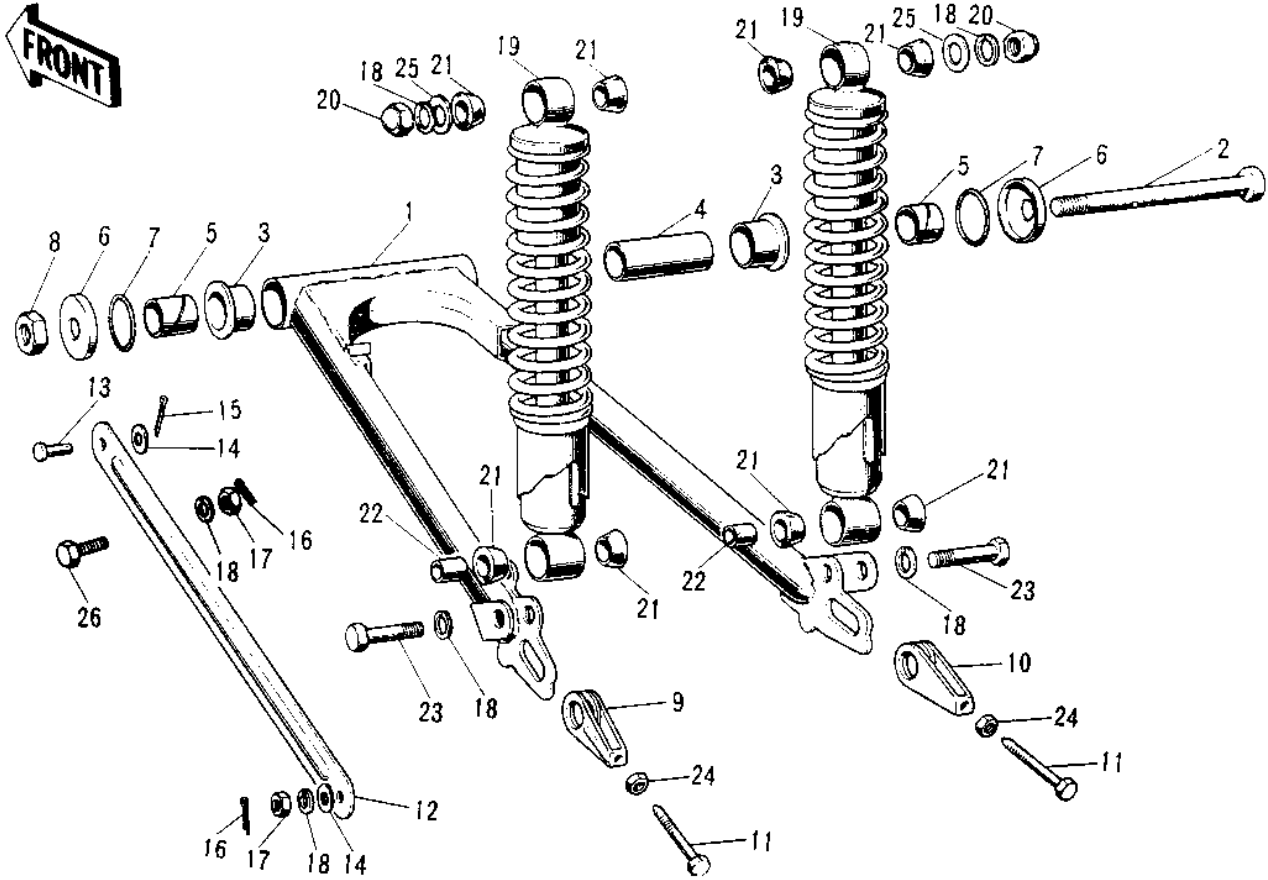


## 1972 S2 PARTS DIAGRAM

SWING ARM/SHOCK ABSORBERS



S2-A

## 1972 S2 PARTS LIST

SWING ARM/SHOCK ABSORBERS

ITEM NAME	PART NUMBER	QUANTITY
ARM-SWING (Ref # 1)	33001-039	1
SHAFT-SWING ARM PIVOT (Ref # 2)	33032-037	1
BUSHING-SWING ARM (Ref # 3)	33033-009	1
SLEEVE-SWING ARM, LONG (Ref # 4)	33034-012	1
SLEEVE-SWING ARM, SHRT (Ref # 5)	33034-013	1
CAP-SWING ARM (Ref # 6)	33035-004	1
"O" RING, 30MM (Ref # 7)	671B2530	1
NUT-LOCK, 14MM (Ref # 8)	92019-011	1
ADJUSTER CHAIN L.H (Ref # 9)	33040-032	1
ADJUSTER CHAIN R.H (Ref # 10)	33040-033	1
BOLT, 8X50 (Ref # 11)	92001-1399	1
TORQUE LINK-RR BRAKE (Ref # *)	43007-031	1
PIN REAR TORQUE LINK (Ref # 13)	43009-001	1
WASHER PLAIN 10MM (Ref # 14)	410B1000	1
PIN COTTER 2.5X20 (Ref # 15)	550D2520	1
PIN, SNAP (Ref # 16)	554A0800	2
NUT, 10MM (Ref # 17)	314B1000	1
WASHER SPRING 10MM (Ref # 18)	461F1000	1
SHOCK ABSBR RR (Ref # 19)	45014-062	1
SHOCK ABSBR RR (Ref # 19-1)	45014-078	1
NUT SHOCK ABSORBER (Ref # 20)	92020-003	1
BUSH SHCK ABS RUBBER (Ref # 21)	45017-001	2
BUSH SHCK ABS PVT SFT (Ref # 22)	45016-003	1
BOLT HEX HEAD 10X35 (Ref # 23)	113N1035	1
NUT 8MM (Ref # 24)	312B0800	1
WASHER-PL-10.5X26X2.3 (Ref # 25)	92022-044	1
BOLT (Ref # 26)	92003-096	1
BUSHING, SHCK ABS RUB (Ref # 27)	45017-018	1
REFLECTOR, REFLEX, REAR (Ref # 28)	28001-030	2

## 1972 S2 PARTS LIST

SWING ARM/SHOCK ABSORBERS

ITEM NAME	PART NUMBER	QUANTITY
DAMPER RUBBER-REFLEX (Ref # 29)	28016-002	1