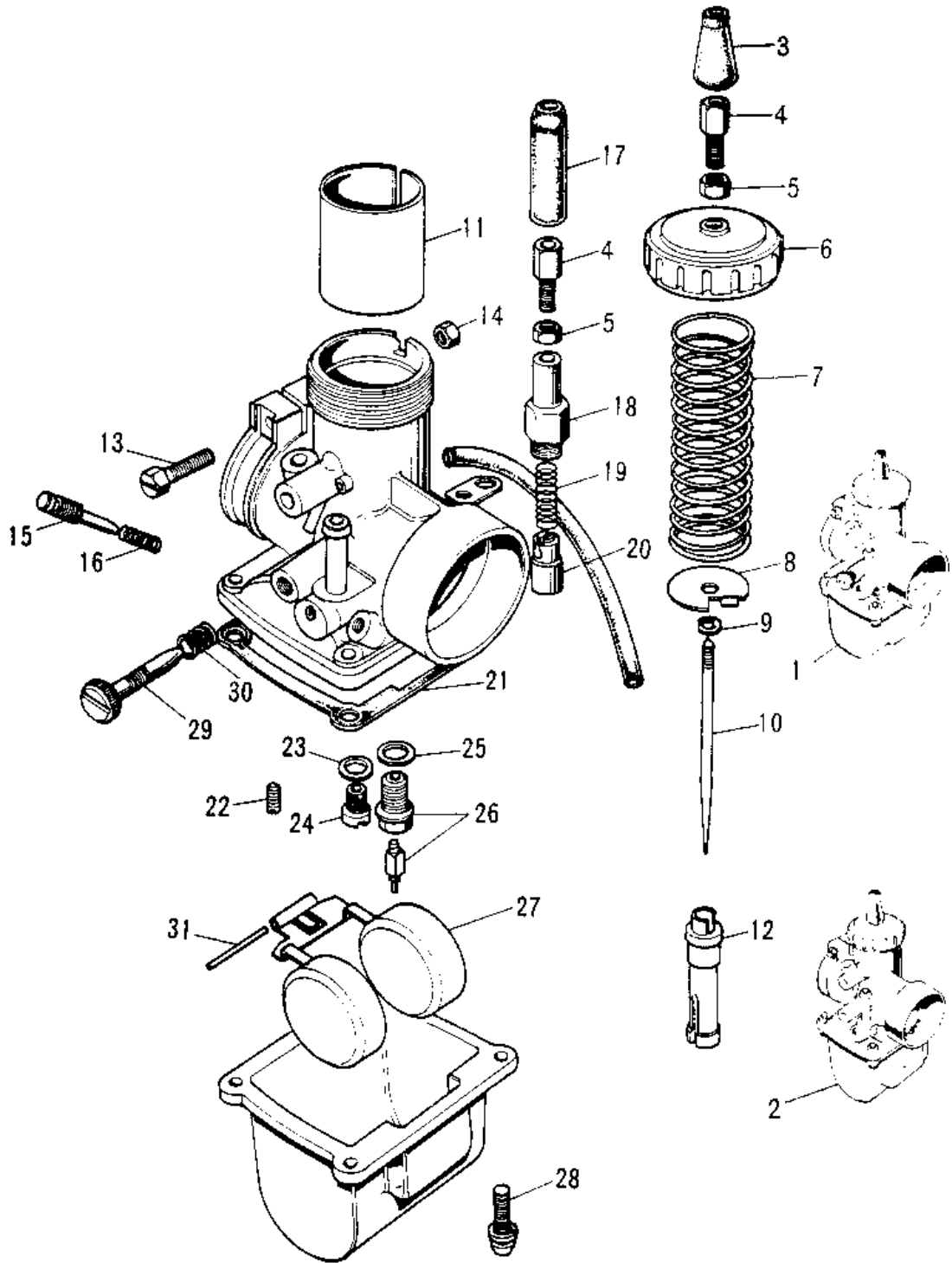


1972 S2 PARTS DIAGRAM

CARBURETORS



1972 S2 PARTS LIST

CARBURETORS

ITEM NAME	PART NUMBER	QUANTITY
CARBURETOR ASY,R.HDCN (Ref # 1)	16001-146	1
CARBURETOR ASSY,L.H (Ref # 2)	16001-145	1
CAP,CARBURETOR (Ref # 3)	16036-007	1
ADJUSTER,CABLE (Ref # 4)	16002-017	1
NUT CABLE ADJUST LOCK (Ref # 5)	16003-004	1
CAP,MIXING CHAMBER (Ref # 6)	16004-025	1
SPRING THROTTLE VALVE (Ref # 7)	16006-014	1
SPRING SEAT,THRTL VL (Ref # 8)	16007-023	1
CIRCLIP (Ref # 9)	16008-010	1
JET NEEDLE 4EJ4 (Ref # 10)	16009-047	1
VALVE-THROTTLE,CA2.0 (Ref # 11)	16025-043	1
VALVE-THROTTLE,CA2.0 (Ref # 11)	16025-044	1
NEEDLE JET 0-2 (Ref # 12)	16017-054	1
SCREW CLAMP (Ref # 13)	16010-004	1
NUT 6MM (Ref # 14)	311B0600	1
SCREW (Ref # 15)	16014-006	1
SPRING-THR STOP SCREW (Ref # 16)	16022-007	1
CAP CABLE ADJUST RUBB (Ref # 17)	16036-005	1
CAP STARTER PLUNGER (Ref # 18)	16012-008	1
SPRING-PLUNGER (Ref # 19)	16013-003	1
PLUNGER-ENRICHNER (Ref # 20)	16016-002	1
GASKET FLOAT CHAMBER (Ref # 21)	16019-013	1
JET-PILOT NO 25 (Ref # 22)	92064-032	1
WASHER MAIN JET (Ref # 23)	16034-001	1
MAIN JET NO 85R (Ref # 24)	92063-093	1
WASHER FLOAT VLV SEAT (Ref # 25)	16029-004	1
FLOAT VALVE ASSY (Ref # 26)	16030-005	1
FLOAT (Ref # 27)	16031-016	1
SCREW FLOAT CHAMBER (Ref # 28)	16033-009	1

1972 S2 PARTS LIST

CARBURETORS

ITEM NAME	PART NUMBER	QUANTITY
SCREW-THROTTLE STOP (Ref # 29)	16021-013	1
SPRING THR STOP SCREW (Ref # 30)	16022-005	1
FLOAT PIN (Ref # 31)	16032-003	1