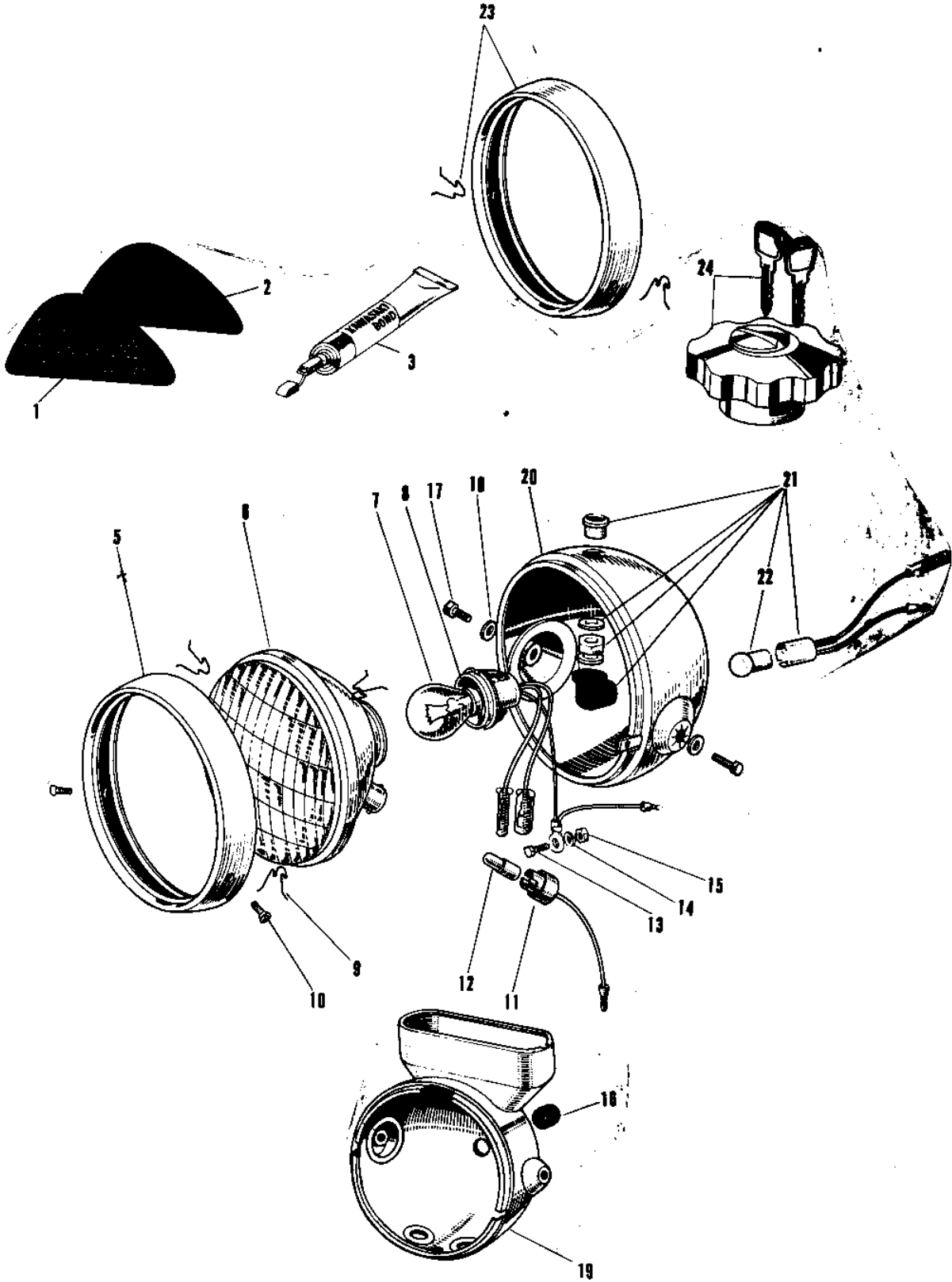


1966 A1 PARTS DIAGRAM

OPTIONAL PARTS



1966 A1 PARTS LIST

OPTIONAL PARTS

ITEM NAME	PART NUMBER	QUANTITY
GRIP KNEE L.H (Ref # 1)	51061-015	1
GRIP KNEE R.H (Ref # 2)	51062-013	1
LIQUID GASKET (Ref # 3)	92104-002	1
UNAVAILABLE IN PRICE BOOK (Ref # 5~15)	23004-017	1
RIM HEAD LAMP (Ref # 5)	23006-022	1
UNAVAILABLE IN PRICE BOOK (Ref # 6)	23007-019	1
BULB 12V 35/35W (Ref # 7)	92069-045	1
SOCKET HEAD LAMP (Ref # 8)	23008-017	1
CLAMP HEAD LAMP LENS (Ref # 9)	23009-012	1
SCREW OVL CNTSNK 5X10 (Ref # 10)	222E0510	1
UNAVAILABLE IN PRICE BOOK (Ref # 10)	22E0510A	1
UNAVAILABLE IN PRICE BOOK (Ref # 11)	23008-018	1
BULB 12V 4W (Ref # 12)	92069-046	1
SCREW PAN HEAD 3X6 (Ref # 13)	211B0306	1
SCREW-PAN-HEAD 3X6 (Ref # 13)	220B0306	1
WASHER SPRING 3MM (Ref # 14)	461F0300	1
NUT-HEX (Ref # 15)	311B0300	2
GROMMET 13MM (Ref # 16)	850A1301	1
BOLT,HEX HEAD,10X25 (Ref # 17)	92007-045	1
WASHER SPRING 10MM (Ref # 18)	461F1000	1
BODY HEAD LAMP C.RED (Ref # 19)	23005-017-24	1
BODY HEAD LAMP C.BLUE (Ref # 19)	23005-017-27	1
BODY-HEAD LAMP,F BLK (Ref # 20)	23005-018-21	1
LAMP ASSY HIGH BEAM (Ref # 21)	23016-002	1
BULB 12V 1.5W (Ref # 22)	92069-017	1
RIM HEAD LAMP (Ref # 23)	23006-013	1
CAP FUEL TANK LOCKING (Ref # 24)	51049-009	1