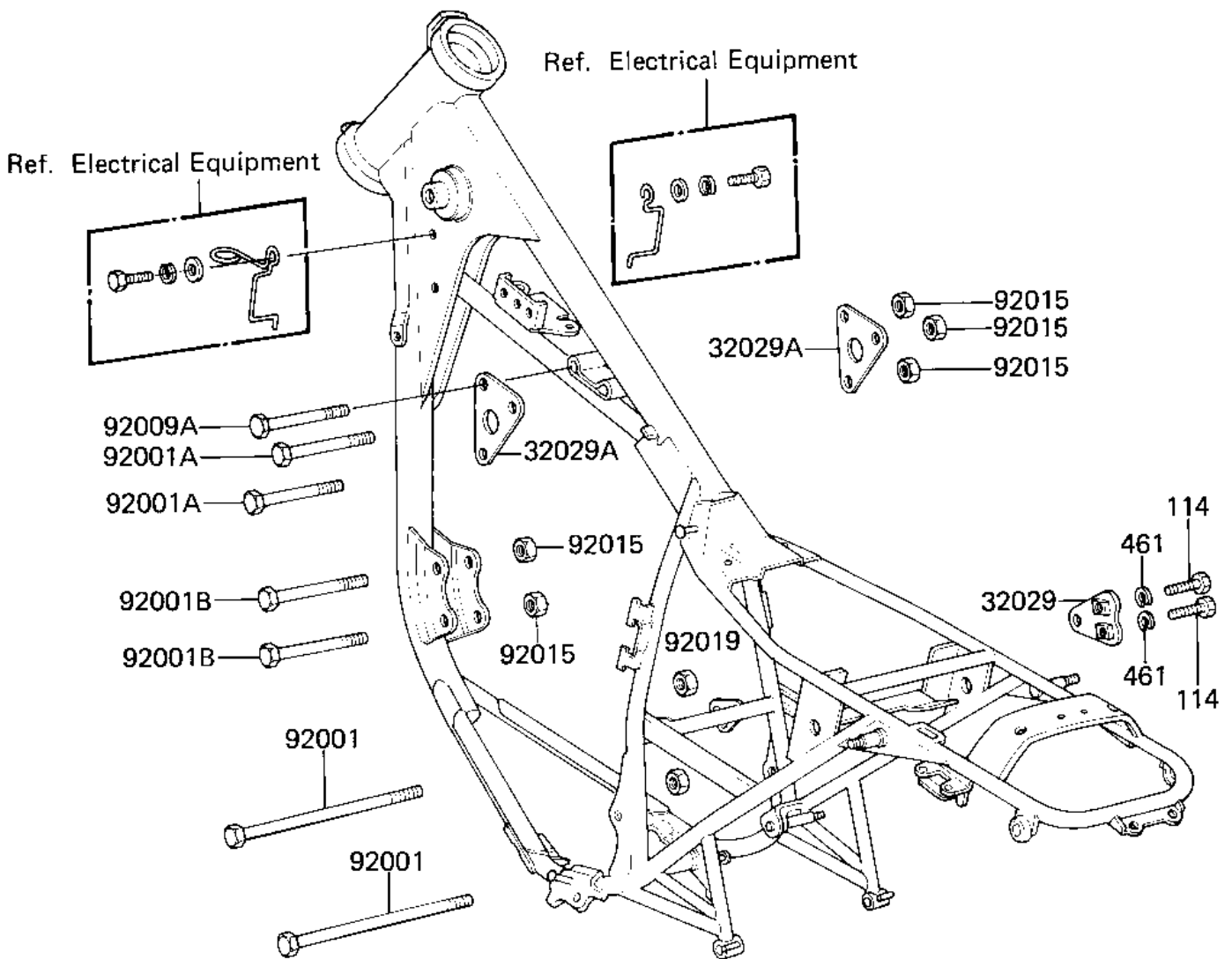


1981 KZ250 PARTS DIAGRAM

FRAME FITTINGS ('81 D2)



1981 KZ250 PARTS LIST

FRAME FITTINGS ('81 D2)

ITEM NAME	PART NUMBER	QUANTITY
BRACKET,ENGINE (Ref # 32029)	32029-1008	1
PLATE,ENGINE HEAD (Ref # 32029A)	32030-069	1
BOLT, FLANGED, 10X110 (Ref # 92001)	92001-1602	1
BOLT,FLANGED,8X60 (Ref # 92001A)	92001-1581	1
BOLT,8X70 (Ref # 92001B)	92001-1389	1
NUT,LOCK,8MM (Ref # 92015)	92015-1124	1
NUT,10MM (Ref # 92015A)	92015-1429	1
BOLT-SMALL-UPSET,8X16 (Ref # 114)	115G0816	1
WASHER SPRING 8MM (Ref # 461)	461F0800	1