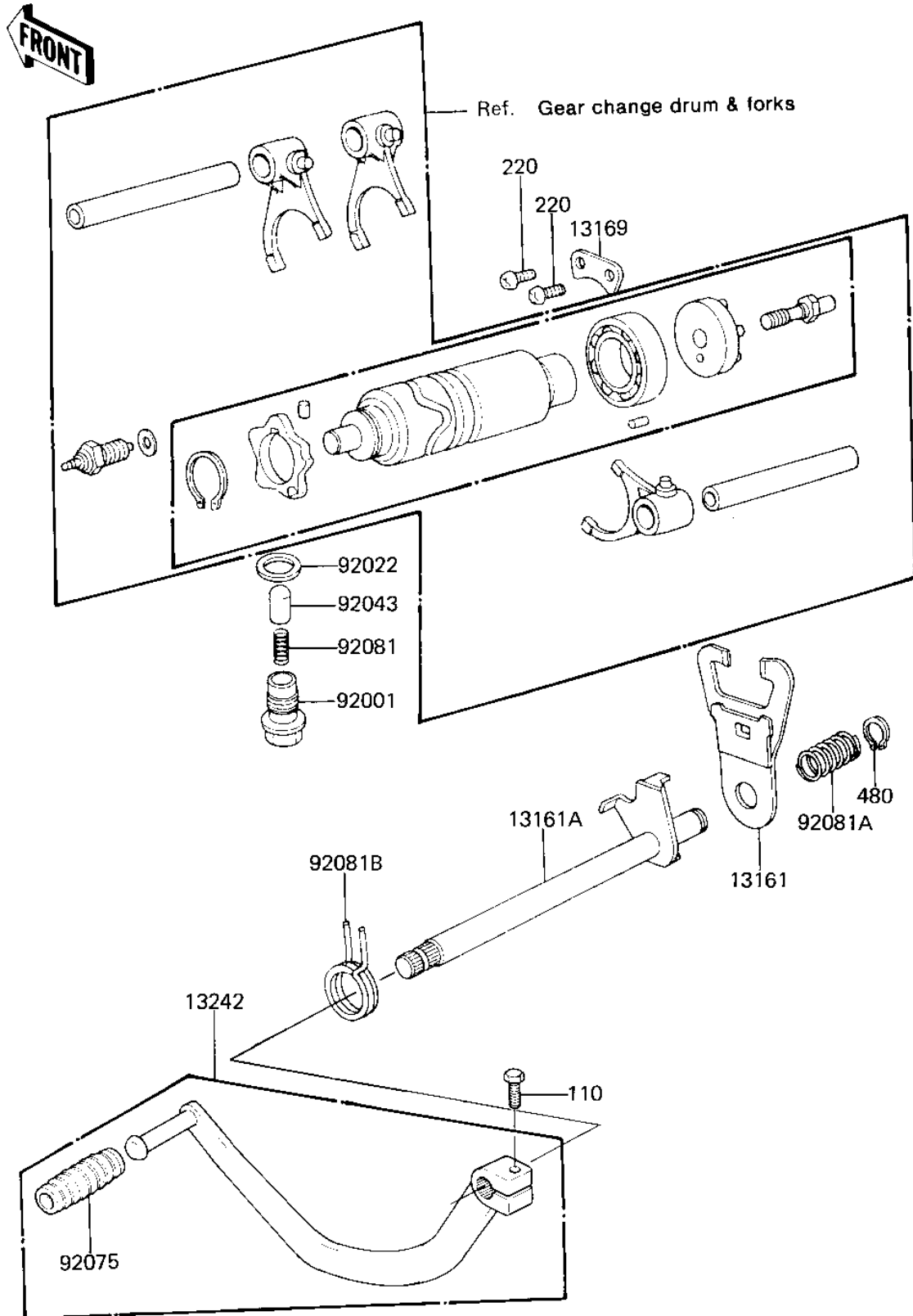


## 1981 KZ250 PARTS DIAGRAM

GEAR CHANGE MECHANISM ('81 D2)



## 1981 KZ250 PARTS LIST

GEAR CHANGE MECHANISM ('81 D2)

ITEM NAME	PART NUMBER	QUANTITY
LEVER ASSY,GEAR SHIFT (Ref # 13161)	13161-044	1
LEVER ASSY,GEAR SHIFT (Ref # 13161A)	13161-1013	1
PLATE,GEAR CHANGE (Ref # 13169)	13169-014	1
LEVER ASSY,GEAR SHIFT (Ref # 13242)	13242-1020	1
BOLT,NEUTRAL POSITION (Ref # 92001)	92001-182	1
WASHER,PLAIN (Ref # 92022)	92022-324	1
PIN,NEUTRAL POSITIONG (Ref # 92043)	92043-131	1
DAMPER,CHANGE PEDAL (Ref # 92075)	92160-1036	1
SPRING (Ref # 92081)	92081-112	1
SPRING,COIL (Ref # 92081A)	92081-149	1
SPRING,CHG PEDL RTRN (Ref # 92081B)	92083-028	1
BOLT-UPSET,6X20 (Ref # 110)	112G0620	1
SCREW PAN HEAD 6X14 (Ref # 220)	220B0614	1
CIRCLIP,13MM (Ref # 480)	480J1300	1