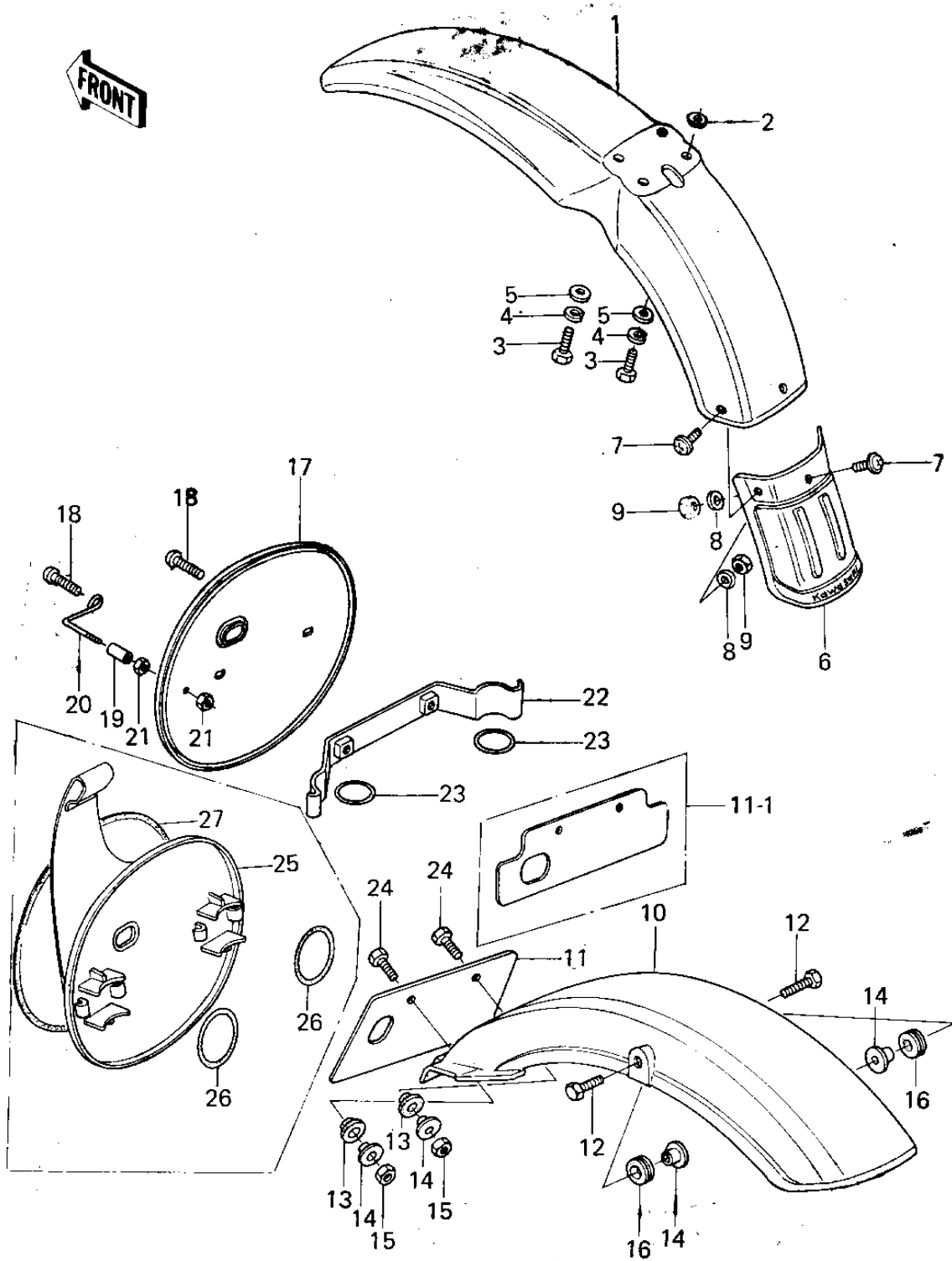


1978 KX™250 PARTS DIAGRAM

FENDERS/NUMBER PLATE (78-79)



1978 KX™250 PARTS LIST

FENDERS/NUMBER PLATE (78-79)

ITEM NAME	PART NUMBER	QUANTITY
FENDER-FR,L.GREEN (Ref # 1)	35004-1015-6W	1
WASHER,PLAIN (Ref # 2)	92022-283	1
BOLT-UPSET (Ref # 3)	112G0618	2
WASHER SPRING 6MM (Ref # 4)	461F0600	1
WASHER 6.5X20X1.6T (Ref # 5)	92022-125	1
FLAP,FRONT FENDER (Ref # 6)	35019-1002	2
SCREW,6X14 (Ref # 7)	92009-1287	2
WASHER PLAIN (Ref # 8)	92022-024	1
NUT (Ref # 9)	92019-008	2
FENDER-RR,L.GREEN (Ref # 10)	35022-1002-6W	1
FENDER-RR,L.GREEN (Ref # 10)	35022-1057-6W	1
FLAP,REAR FENDER (Ref # 11)	35019-1001	2
FLAP,REAR FENDER (Ref # 11-1)	35019-1008	1
DAMPER RUBBER (Ref # 13)	92075-103	1
COLLAR (Ref # 14)	92027-1045	1
DAMPER RUBBER (Ref # 16)	92075-1028	1
PLATE,NUMBER (Ref # 17)	58029-1001-6W	1
ROLLER (Ref # 19)	92122-1001	1
GUIDE,NUMBER PLATE (Ref # 20)	13070-1002	1
NUT-HEX (Ref # 21)	311B0300	1
BRACKET,NUMBER PLATE (Ref # 22)	11034-1089	1
"O" RING,55MM (Ref # 23)	671B2555	1
BOLT-UPSET,6X20 (Ref # 24)	112G0620	1
PLATE-NUMBER,L.GREEN (Ref # 25)	58029-1008-D4	1
"O" RING,70MM (Ref # 26)	671B2570	1
PATTERN,NUMBER PLATE (Ref # 27)	56027-1512	1