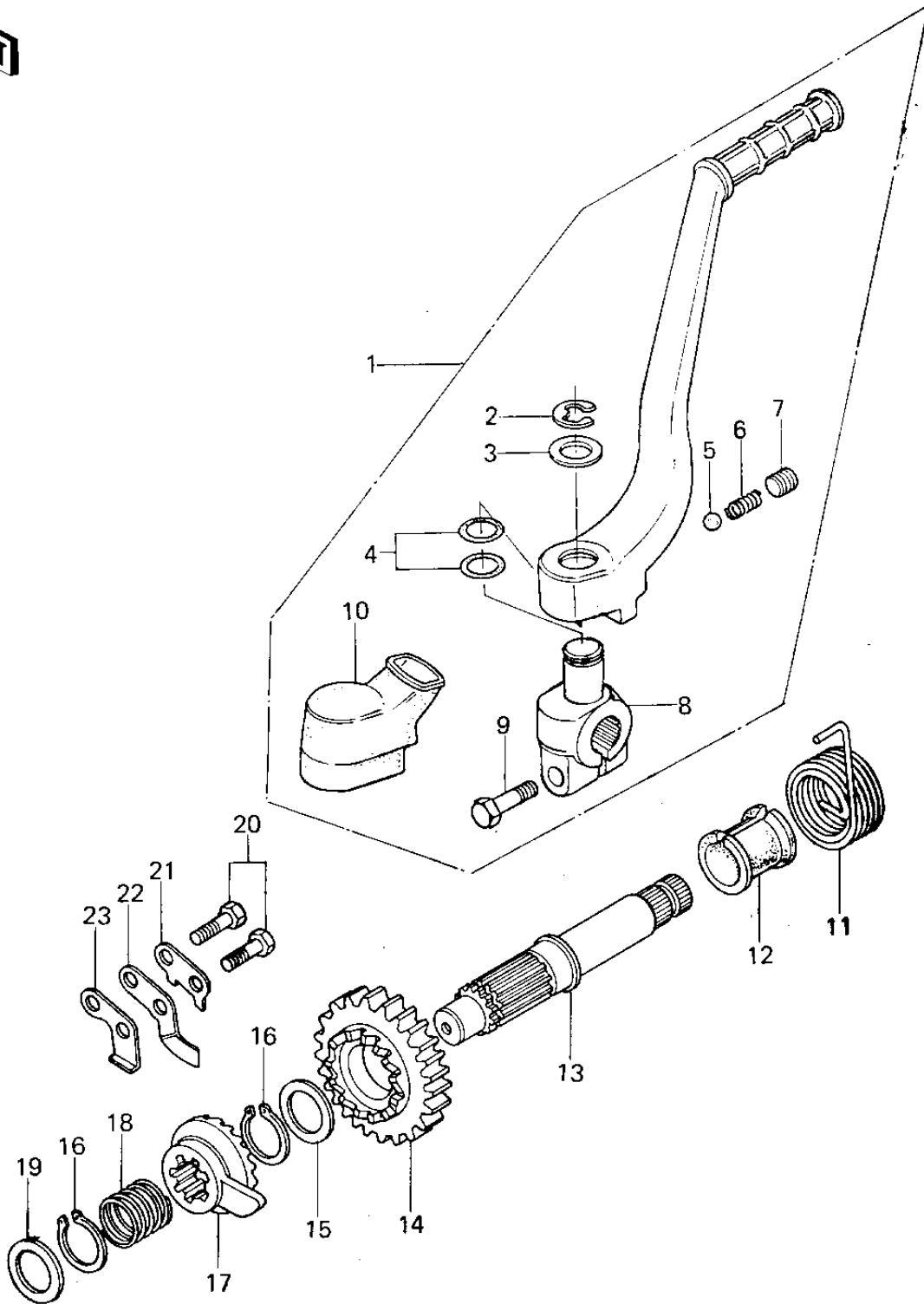


1978 KX™250 PARTS DIAGRAM

KICKSTARTER MECHANISM (78-79)



1978 KX™250 PARTS LIST

KICKSTARTER MECHANISM (78-79)

ITEM NAME	PART NUMBER	QUANTITY
PEDAL ASSY,KICK (Ref # 1)	13064-1004	1
CIR CLIP (Ref # 2)	482K0100	1
WASHER,PLAIN (Ref # 3)	92022-1019	1
"O" RING,15MM (Ref # 4)	670B2015	1
BALL STEEL 1/4' (Ref # 5)	600A0800	1
SPRING KICK PEDAL (Ref # 6)	92081-020	1
SCREW,8X8 (Ref # 7)	290Q0808	1
BOSS,KICKSTARTER (Ref # 8)	13061-1007	1
BOLT,HEX HEAD,8X28 (Ref # 9)	92001-1042	1
BOOT,KICKSTARTER (Ref # 10)	49006-1006	1
SPRING-KICKSTARTER (Ref # 11)	92082-003	1
GUIDE,KICKSTARTER (Ref # 12)	13070-007	1
SHAFT,KICKSTARTER (Ref # 13)	13066-1003	1
GEAR-KICKSTARTER (Ref # 14)	13068-025	1
WASHER-PLAIN 25MM (Ref # 15)	92022-159	1
CIRCLIP (Ref # 16)	92033-026	1
RATCHET (Ref # 17)	13078-007	1
SPRING (Ref # 18)	92081-097	1
WASHER (Ref # 19)	92022-252	1
BOLT-UPSET (Ref # 20)	112G0618	1
WASHER,KICKSTOP GUIDE (Ref # 21)	92031-010	1
GUIDE,KICK STOPPER (Ref # 22)	13206-011	1
STOPPER,KICKSHAFT (Ref # 23)	13072-016	1