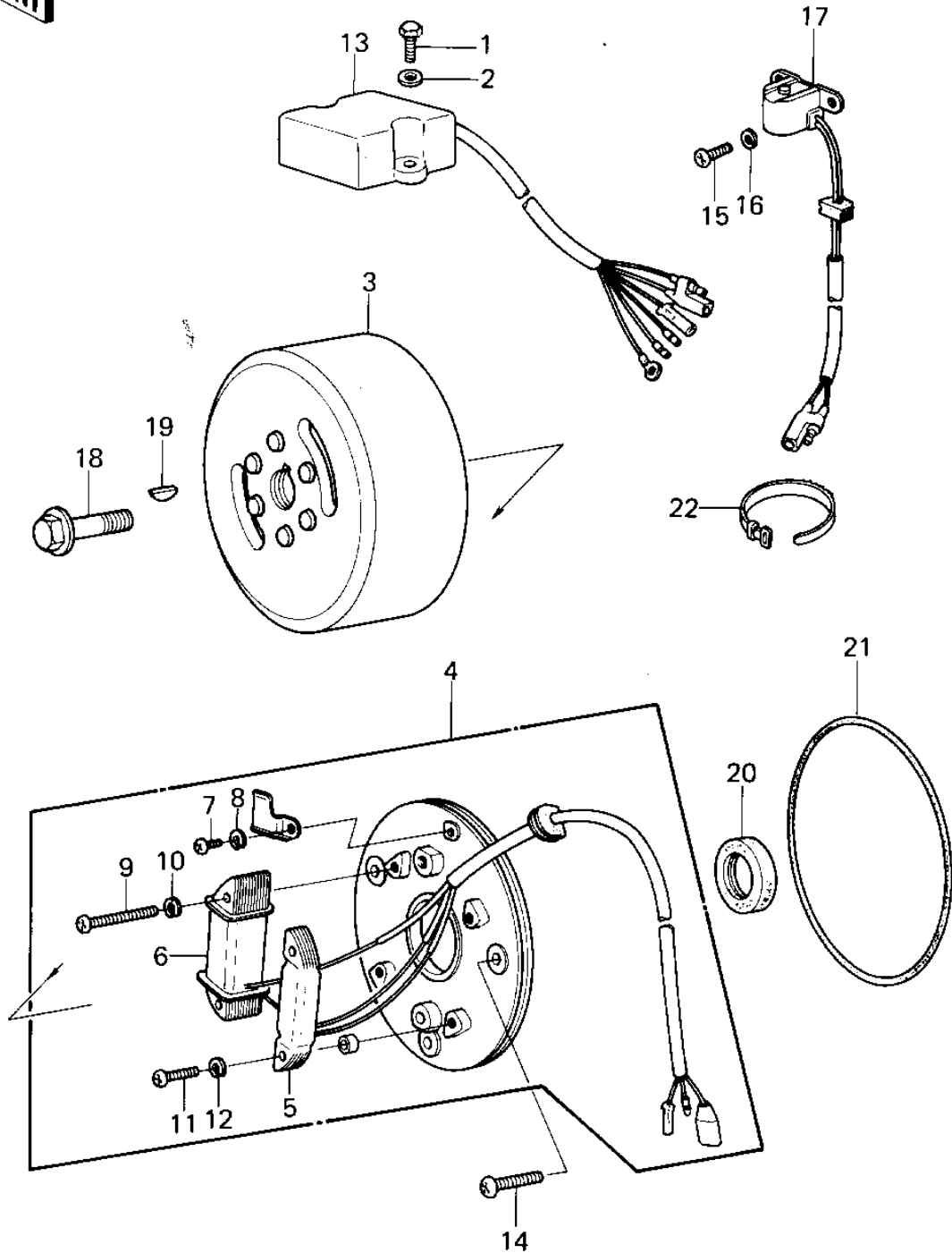


1979 KLX™250 PARTS DIAGRAM

IGNITION/GENERATOR



1979 KLX™250 PARTS LIST

IGNITION/GENERATOR

| ITEM NAME | PART NUMBER | QUANTITY |
|----------------------------------|-------------|----------|
| BOLT-UPSET,6X16 (Ref # 1) | 112G0616 | 1 |
| WASHER PLAIN 6MM (Ref # 2) | 411B0600 | 1 |
| FLYWHEEL,MAGNETO (Ref # 3) | 21050-1011 | 1 |
| STATOR ASSY (Ref # 4) | 21003-1021 | 1 |
| COIL EXCITING (Ref # 5) | 21049-1014 | 1 |
| COIL,LIGHTING (Ref # 6) | 21047-1008 | 1 |
| SCREW PAN HEAD 4X6 (Ref # 7) | 220B0406 | 1 |
| WASHER SPRING 4MM (Ref # 8) | 461F0400 | 1 |
| SCREW-PAN-CROS,5X25 (Ref # 9) | 220B0525 | 1 |
| WASHER SPRING 5MM (Ref # 10) | 461F0500 | 3 |
| SCREW PAN HEAD 5X20 (Ref # 11) | 220B0520 | 1 |
| IGNITER (Ref # 13) | 21119-1012 | 1 |
| SCREW PAN HEAD 6X25 (Ref # 14) | 220B0625 | 1 |
| SCREW-PAN-CROS (Ref # 15) | 220B0514 | 1 |
| COIL,PULSING (Ref # 17) | 59026-1005 | 1 |
| BOLT,10X40 (Ref # 18) | 92001-1201 | 1 |
| WOODRUFF KEY (Ref # 19) | 92038-001 | 1 |
| OIL SEAL,S-27408-LHS (Ref # 20) | 92049-1004 | 1 |
| "O" RING,MAGNETO BASE (Ref # 21) | 92055-1006 | 1 |
| BAND,WIRING HARNESS (Ref # 22) | 92072-056 | 1 |