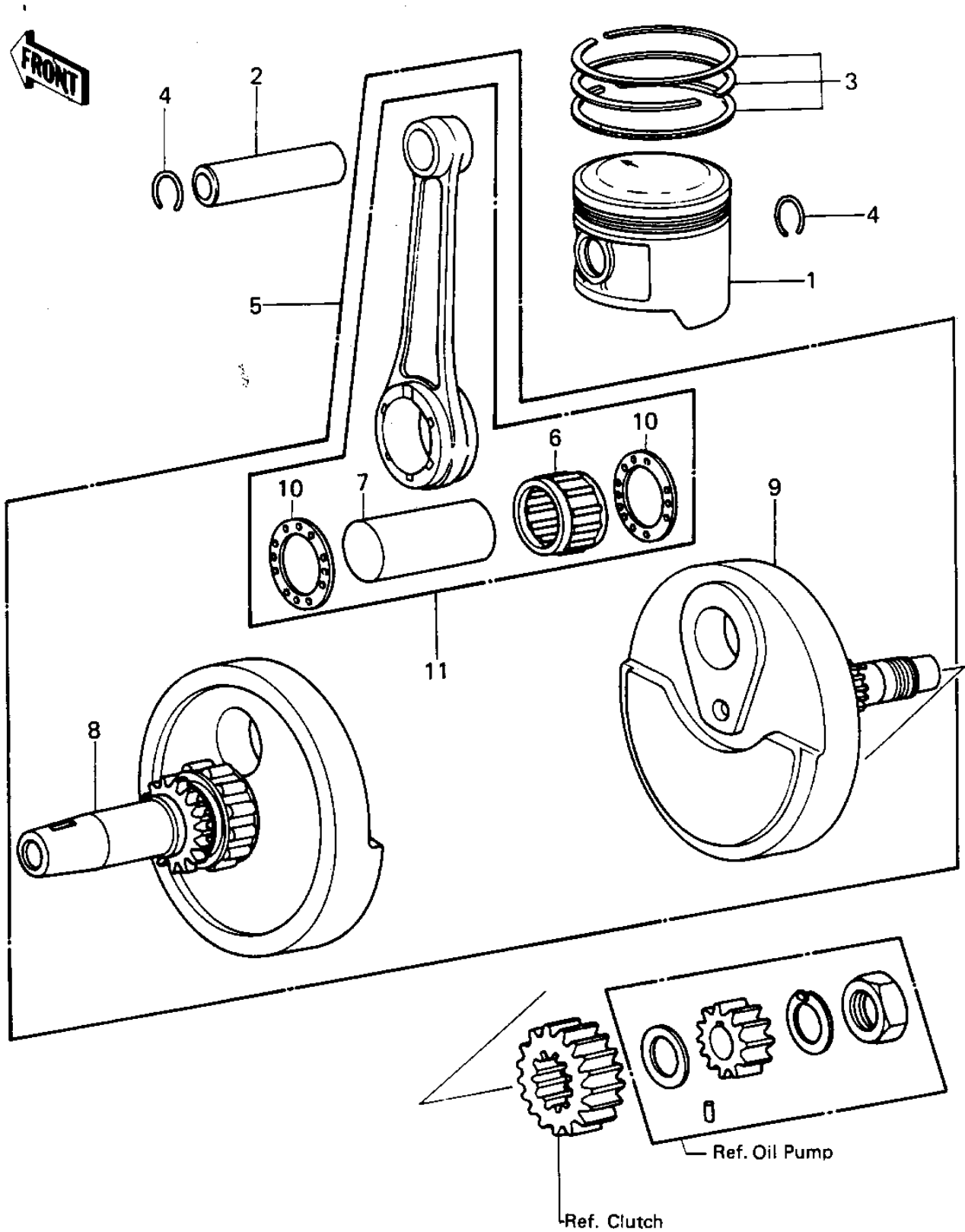


1979 KLX™250 PARTS DIAGRAM

CRANKSHAFT/PISTON



1979 KLX™250 PARTS LIST

CRANKSHAFT/PISTON

ITEM NAME	PART NUMBER	QUANTITY
PISTON,S.T.D (Ref # 1)	13001-1005	1
PISTON,0.020 O/S (Ref # 1)	13029-1003	1
PISTON,0.040 O/S (Ref # 1)	13027-1005	1
PIN-PISTON (Ref # 2)	13002-022	1
RING SET,STD (Ref # 3)	13008-5012	1
RING SET,0.020"O/S (Ref # 3)	13025-5007	1
RING SET,0.040"O/S (Ref # 3)	13024-5008	1
CIRCLIP,PISTON PIN (Ref # 4)	92036-021	1
CRANK-CONROD ASSY (Ref # 5)	13031-1001	1
BRG,NEEDLE PK293921.4 (Ref # 6)	13034-031	1
PIN,CRANK (Ref # 7)	13035-035	1
CRANKSHAFT,L.H. (Ref # 8)	13037-5002	1
CRANKSHAFT,R.H. (Ref # 9)	13037-1003	1
SPACER,CONNECTING ROD (Ref # 10)	92026-087	1
CONNECTING ROD SET (Ref # 11)	13044-5005	1