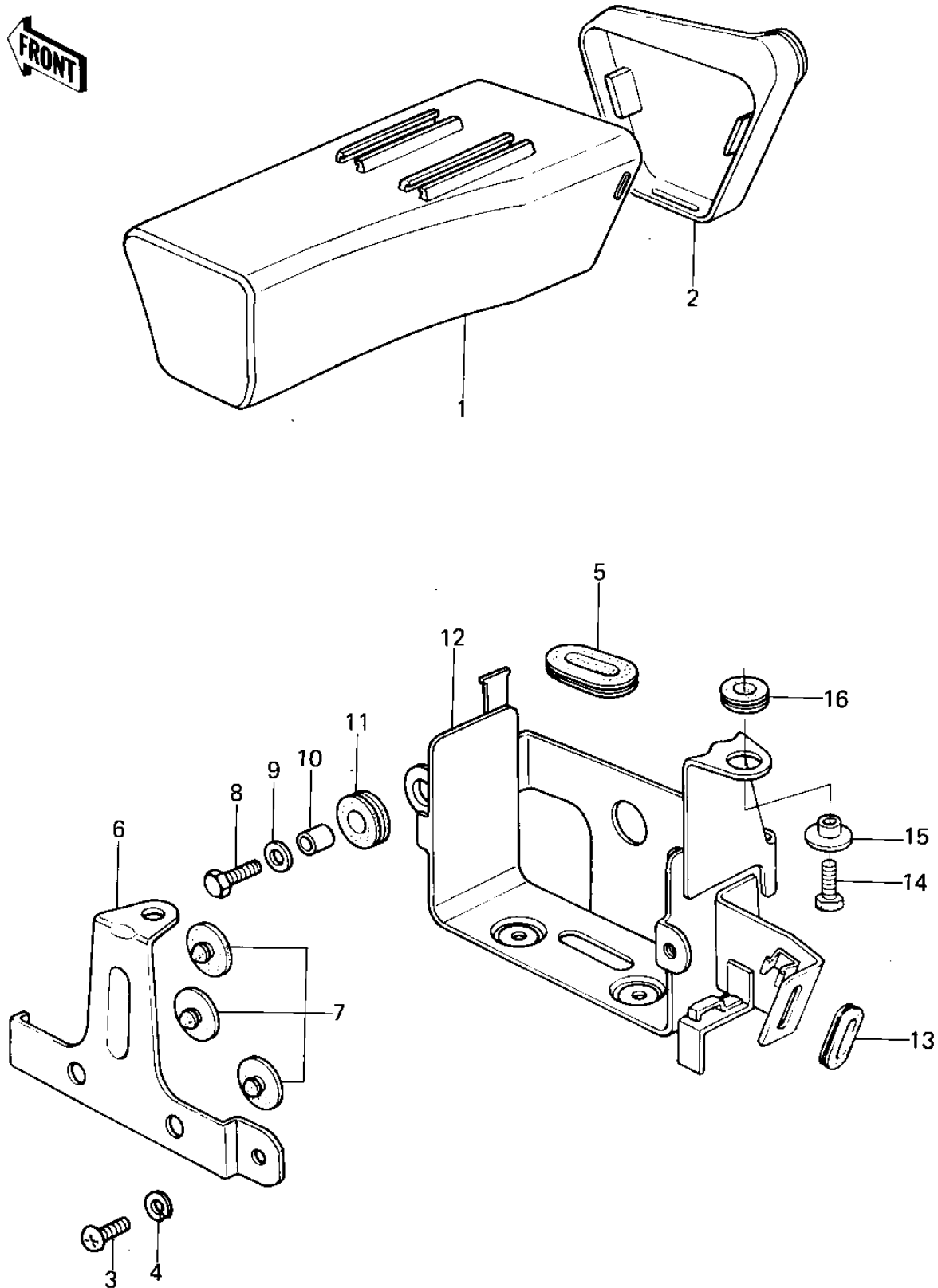


1978 KL250 PARTS DIAGRAM

BATTERY CASE/TOOL CASE



1978 KL250 PARTS LIST

BATTERY CASE/TOOL CASE

ITEM NAME	PART NUMBER	QUANTITY
CASE,TOOL (Ref # 1)	32098-1006	2
CAP,TOOL CASE (Ref # 2)	11012-1050	2
SCREW PAN HEAD 6X12 (Ref # 3)	220B0612	1
WASHER SPRING 6MM (Ref # 4)	461F0600	1
DAMPER RUBBER (Ref # 5)	92075-166	1
BAND,BATTERY CASE (Ref # 6)	92072-1003	1
DAMPER RUBBER (Ref # 7)	92075-078	1
BOLT 6X22 (Ref # 8)	112B0622	1
WASHER 6.5X20X1.6T (Ref # 9)	92022-125	1
COLLAR 6.8X10X10.5 (Ref # 10)	92027-120	1
DAMPER RUBBER,CASE (Ref # 11)	92075-222	1
CASE,BATTERY (Ref # 12)	32097-1002	1
GROMMET (Ref # 13)	92071-1187	1
BOLT-UPSET (Ref # 14)	112G0618	1
COLLAR (Ref # 15)	92027-153	1
DAMPER RUBBER (Ref # 16)	92075-051	1