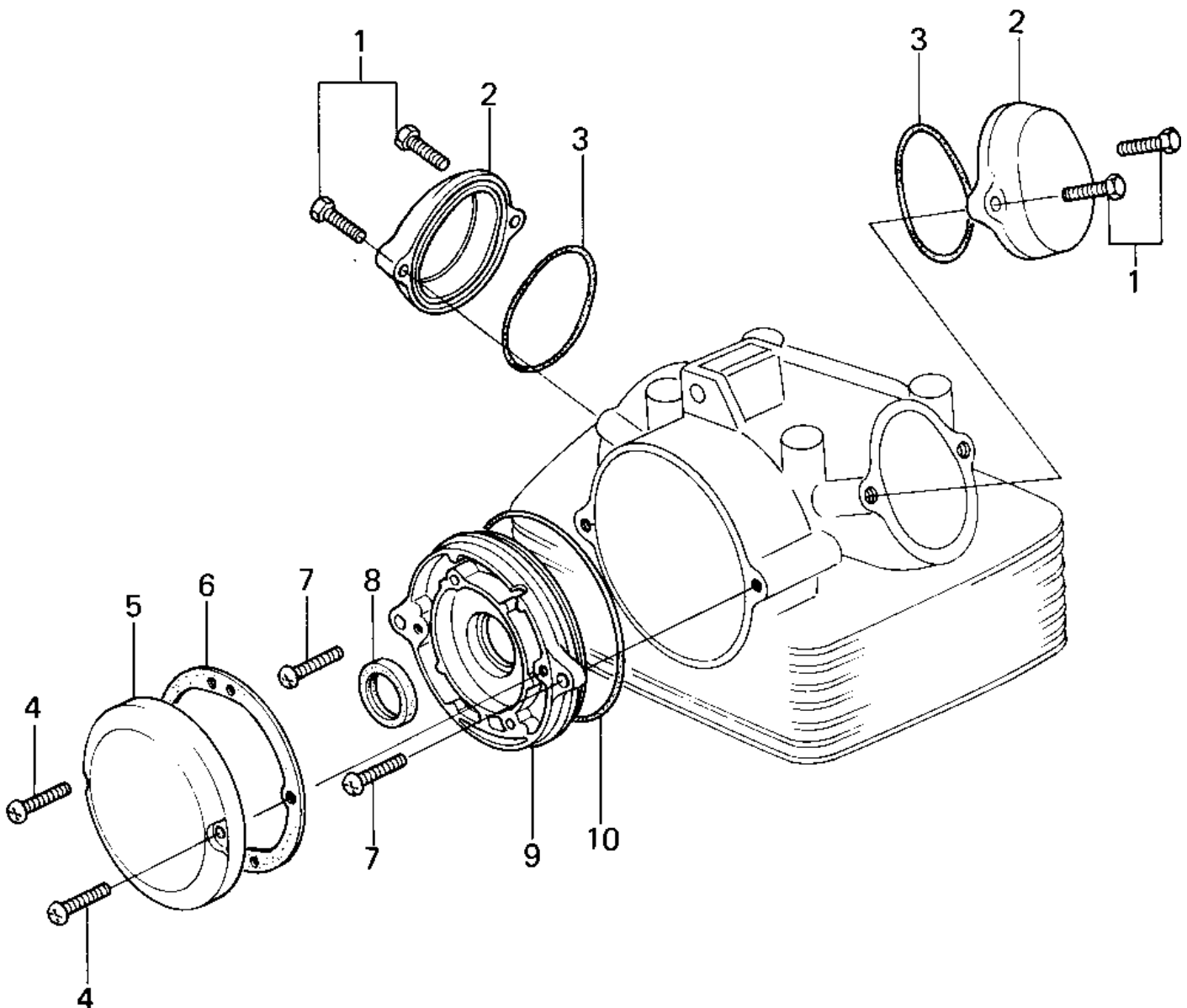


## 1978 KL250 PARTS DIAGRAM

CYLINDER HEAD COVERS



## 1978 KL250 PARTS LIST

### CYLINDER HEAD COVERS

ITEM NAME	PART NUMBER	QUANTITY
BOLT,FLANGED,6X25 (Ref # 1)	130G0625	1
CAP,ROCKER ARM (Ref # 2)	11027-004-2H	1
"O" RING,53.5MM (Ref # 3)	92055-112	1
SCREW PAN HEAD 6X25 (Ref # 4)	220B0625	2
CAP,CONTACT BREAKER (Ref # 5)	14027-022-2H	1
GASKET,CONTACT BREAKR (Ref # 6)	14050-012	1
OIL SEAL (Ref # 8)	92050-079	1
COVER,CONTACT BREAKER (Ref # 9)	21136-010	1
"O" RING,99M/M (Ref # 10)	92055-107	1