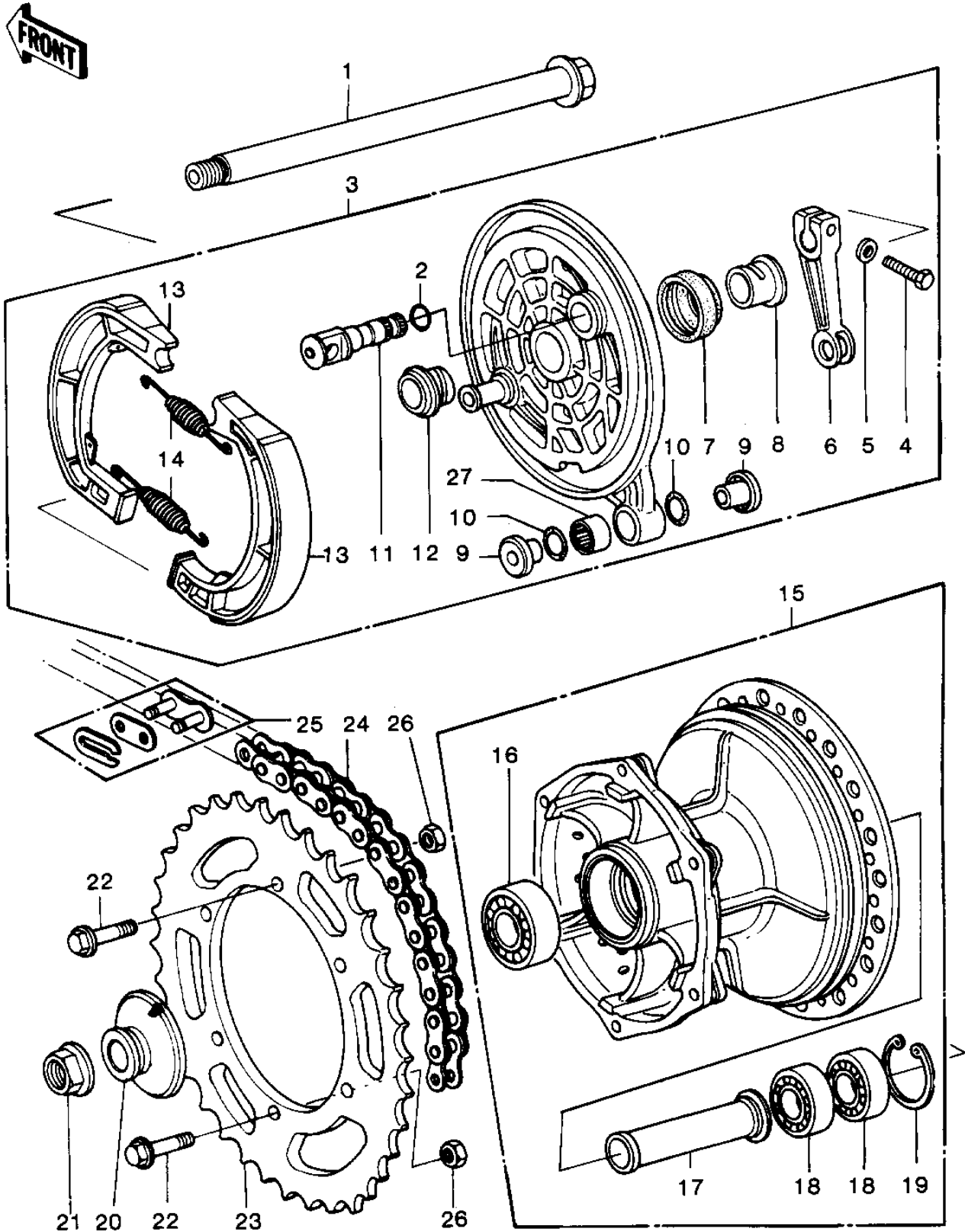


1980 KDX™250 PARTS DIAGRAM

REAR HUB/BRAKE/CHAIN



1980 KDX™250 PARTS LIST

REAR HUB/BRAKE/CHAIN

| ITEM NAME | PART NUMBER | QUANTITY |
|----------------------------------|-------------|----------|
| AXLE,REAR (Ref # 1) | 41068-4002 | 1 |
| "O" RING,15MM (Ref # 2) | 670B2015 | 1 |
| PANEL-ASY,RR BRK (Ref # 3) | 41035-4001 | 1 |
| BOLT-UPSET (Ref # 4) | 112G0622 | 1 |
| WASHER PLAIN 6MM (Ref # 5) | 410B0600 | 1 |
| LEVER,REAR BRAKE CAM (Ref # 6) | 41053-1004 | 1 |
| OIL SEAL (Ref # 7) | 92093-1004 | 1 |
| SLEEVE,REAR PANEL,R.H (Ref # 8) | 42036-1035 | 1 |
| COLLAR (Ref # 9) | 92027-1040 | 1 |
| "O" RING,11M/M (Ref # 10) | 670C2011 | 1 |
| CAM SHAFT,BRAKE (Ref # 11) | 41050-1002 | 1 |
| SLEEVE,REAR BRAKE (Ref # 12) | 42036-1009 | 1 |
| SHOE,BRAKE (Ref # 13) | 42019-011 | 1 |
| SPRING-BRAKE SHOE (Ref # 14) | 42020-004 | 1 |
| DRUM-ASSY,RR BRK (Ref # 15) | 41034-1019 | 1 |
| BEARING,BALL,6204UUC3 (Ref # 16) | 601B6204UU | 1 |
| COLLAR,REAR BRAKE DRM (Ref # 17) | 92027-4004 | 1 |
| BEARING-BALL,#6003UC3 (Ref # 18) | 601B6003U | 1 |
| CIRCLIP,35MM (Ref # 19) | 481J3500 | 1 |
| COLLAR,REAR AXLE,L.H (Ref # 20) | 92027-4005 | 1 |
| NUT,16M/M (Ref # 21) | 92015-1015 | 1 |
| BOLT,HEX HEAD,8X36 (Ref # 22) | 92001-1041 | 1 |
| REAR SPROCKET,50T (Ref # 23) | 42041-4003 | 1 |
| SPROCKET,REAR,46T (Ref # 23) | 42041-4002 | 1 |
| SPROCKET,REAR,48T (Ref # 23) | 42041-4001 | 1 |
| REAR SPROCKET,50T STD (Ref # 23) | 42041-1006 | 1 |
| CHAIN (Ref # 24) | 92057-4002 | 1 |
| DR CHAIN 520X108L (Ref # 24) | 92057-1032 | 1 |
| CHAIN JOINT 520 (Ref # 25) | 92058-1002 | 1 |

1980 KDX™250 PARTS LIST

REAR HUB/BRAKE/CHAIN

| ITEM NAME | PART NUMBER | QUANTITY |
|---------------------------|-------------|----------|
| NUT,LOCK,8MM (Ref # 26) | 92015-1124 | 1 |
| BEARING,NEEDLE (Ref # 27) | 92046-1009 | 1 |