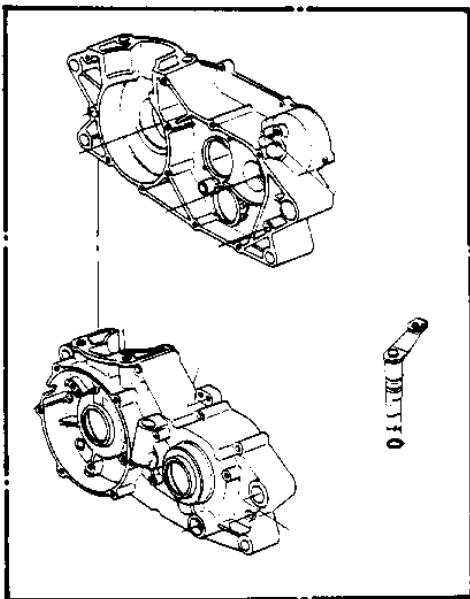
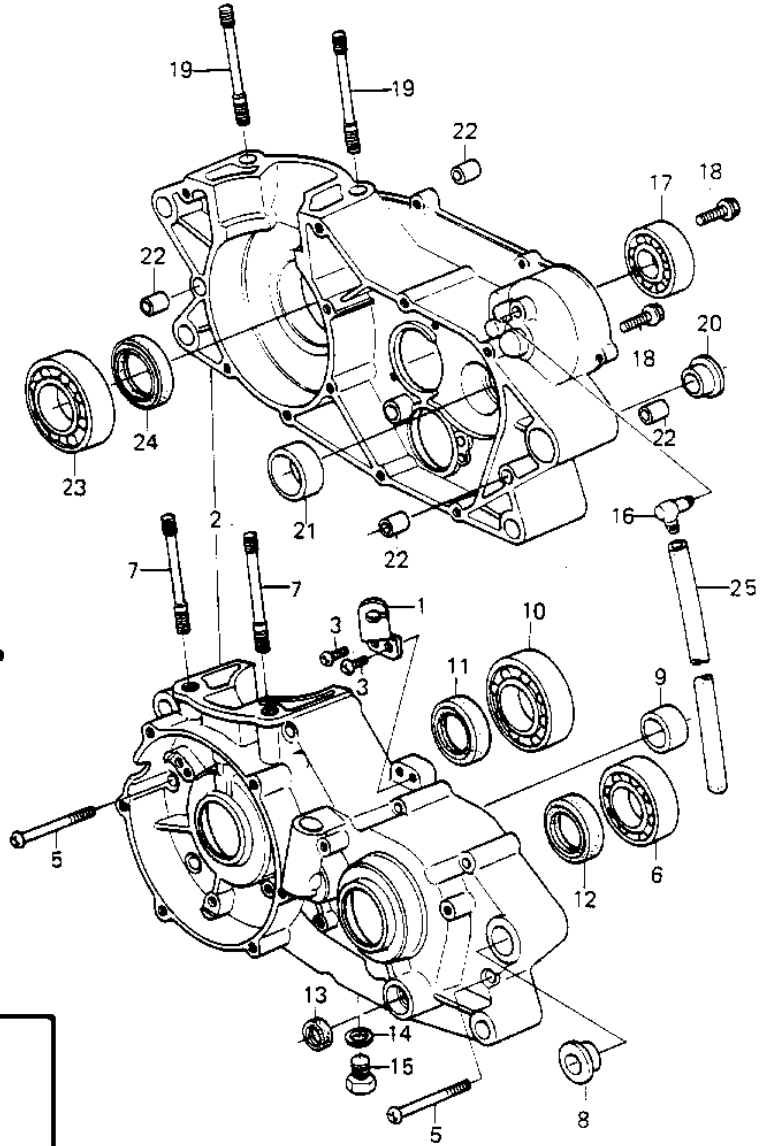


1980 KDX™250 PARTS DIAGRAM

CRANKCASE



1042

1980 KDX™250 PARTS LIST

CRANKCASE

ITEM NAME	PART NUMBER	QUANTITY
HOLDER,CLUTCH CABLE (Ref # 1)	13091-1068	1
SET-CRANKCASE (Ref # 2)	14001-5068	2
SCREW PAN HEAD 6X16 (Ref # 3)	220B0616	1
SCREW PAN HEAD 6X50 (Ref # 4)	220B0650	1
SCREW PAN HEAD 6X60 (Ref # 5)	220B0660	1
BEARING BALL #6205 (Ref # 6)	601B6205	1
STUD,10X65 (Ref # 7)	92004-1032	2
BUSHING,PIVOT MOUNT (Ref # 8)	92028-1074	2
BUSHING (Ref # 9)	92028-132	1
BEARING,BALL,6206-C3 (Ref # 10)	92045-1031	1
OIL SEAL (Ref # 11)	92049-1047	1
OIL SEAL TB3040 (Ref # 12)	92050-033	1
OIL SEAL,TB13225.5 (Ref # 13)	92051-005	1
GASKET CHECK VALVE (Ref # 14)	92065-058	1
PLUG OIL DRAIN (Ref # 15)	92067-001	1
BREATHER (Ref # 16)	14069-003	1
BEARING BALL #6204 (Ref # 17)	601B6204	1
BOLT,CLUTCH SPR FITT (Ref # 18)	92001-1066	1
BUSHING (Ref # 21)	92028-131	1
PIN,DOWEL,10X8.2X14 (Ref # 22)	92043-1037	1
BEARING,BALL,#6305SH2 (Ref # 23)	92045-1024	1
OIL SEAL,TCJ25457 (Ref # 24)	92049-1051	1
TUBE,6X9X500 (Ref # 25)	92059-1125	1