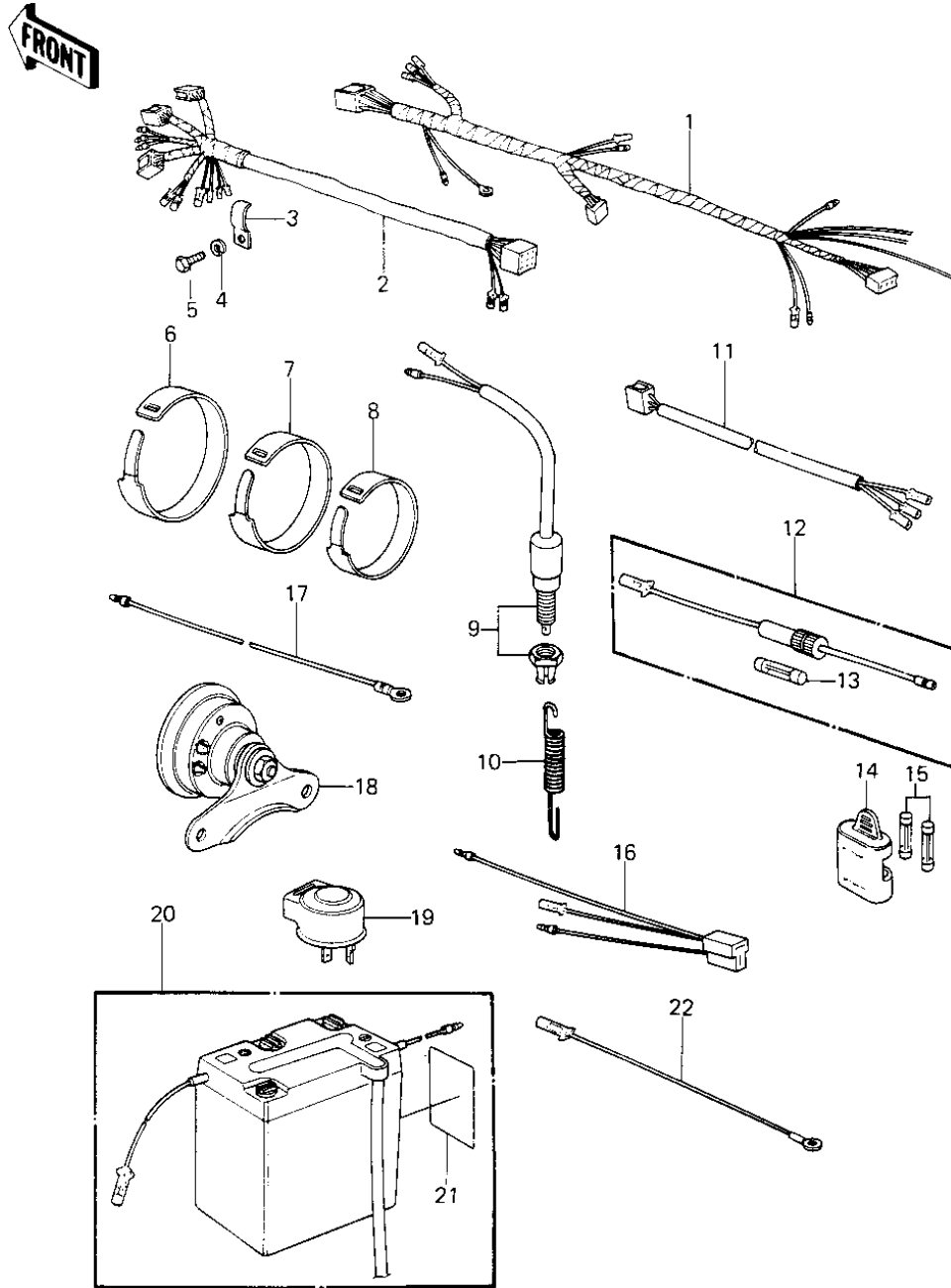


## 1977 KE250 PARTS DIAGRAM

CHASSIS ELECTRICAL EQUIPMENT



## 1977 KE250 PARTS LIST

### CHASSIS ELECTRICAL EQUIPMENT

ITEM NAME	PART NUMBER	QUANTITY
WIRING HARNESS,MAIN (Ref # 1)	26001-141	1
WIRING HARNESS,HEAD (Ref # 2)	26002-061	1
CLAMP-WIRE HARNESS (Ref # 3)	92037-086	1
WASHER SPRING 6MM (Ref # 4)	461F0600	1
BOLT-UPSET,6X12 (Ref # 5)	112G0612	1
BAND,LONG (Ref # 6)	92072-032	1
BAND,MIDDLE (Ref # 7)	92072-031	1
BAND,SHORT (Ref # 8)	92072-030	1
SWITCH,BRAKE LIGHT (Ref # 9)	27010-025	1
SPRING BRAKE LAMP SW (Ref # 10)	27011-006	1
WIRING HARNESS,TAIL L (Ref # 11)	26001-1007	1
FUSE ASSY (Ref # 12)	26004-025	1
FUSE 15A (Ref # 13)	26006-007	2
HOLDER-SPARE FUSE (Ref # 14)	26016-004	1
WIRE,RECTIFIER LEAD (Ref # 16)	26011-072	1
WIRE,GROUND (Ref # 17)	26011-082	1
HORN (Ref # 18)	27003-083	1
RELAY-TURN SIGNAL (Ref # 19)	27002-013	1
YUA BAT 6N6-1D-2 (Ref # 20)	K26012-034	1
LABEL-WARNING,BATTERY (Ref # 21)	56040-1036	1
WIRE,LEAD,BATTERY GRO (Ref # 22)	26011-1009	1