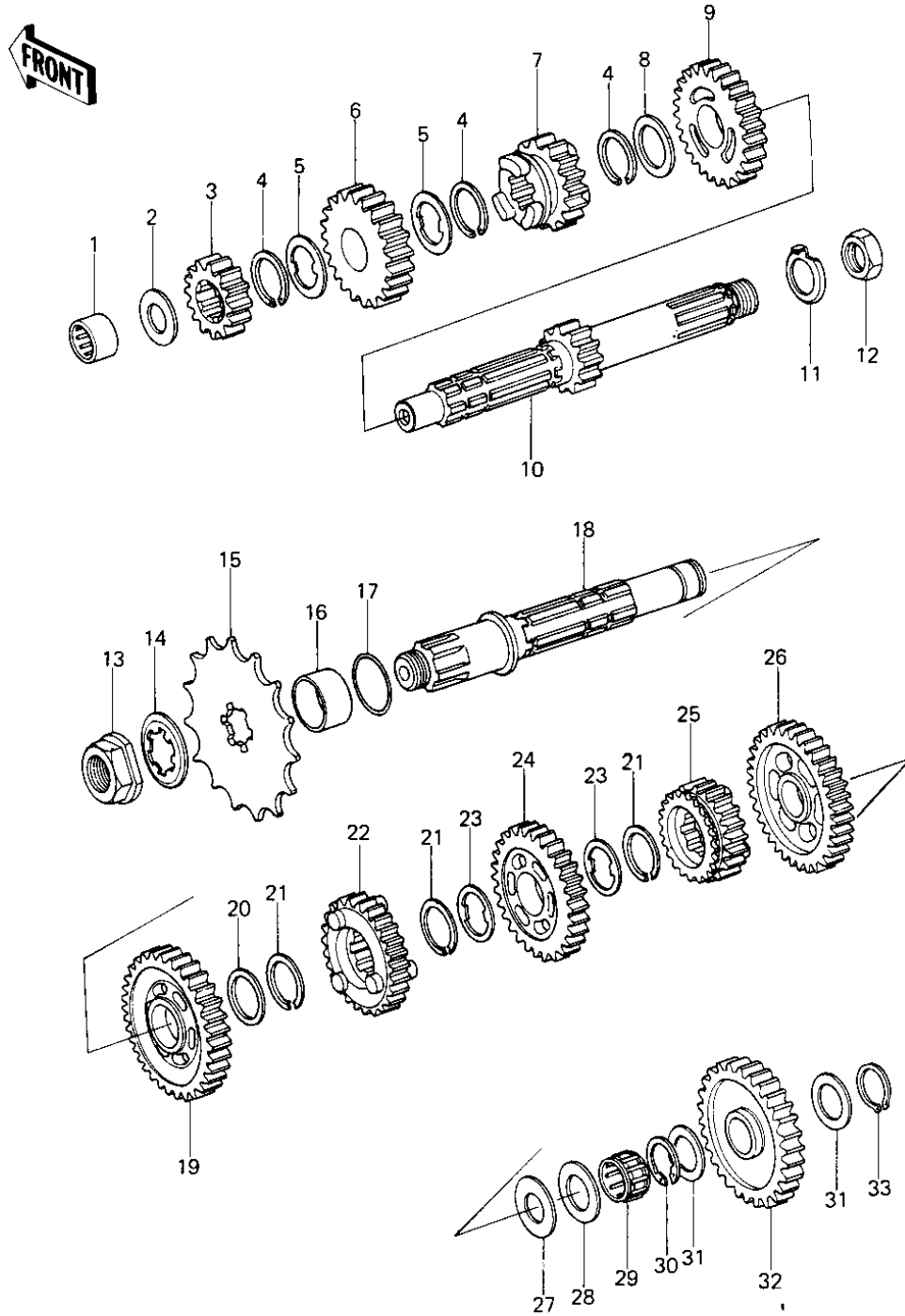


1977 KE250 PARTS DIAGRAM

TRANSMISSION



1977 KE250 PARTS LIST

TRANSMISSION

ITEM NAME	PART NUMBER	QUANTITY
NEEDLE BEARING,HK1516 (Canada) (Ref # 1)	92046-057	1
WASHER,THRUST,15MM (Ref # 2)	92022-279	1
2ND GEAR,DRIVE SHAFT (Ref # 3)	13130-046	1
CIRCLIP,18MM (Ref # 4)	92033-029	1
WASHER,LOCK (Ref # 5)	92024-059	1
4TH GEAR,DRIVE SHAFT (Ref # 6)	13134-031	1
3RD GEAR,DRIVE SHAFT (Ref # 7)	13132-046	1
WASHER (Ref # 8)	92022-252	1
TOP GEAR,DRIVE SHAFT (Ref # 9)	13136-062	1
SHAFT,DRIVE (Ref # 10)	13127-057	1
WASHER,LOCK,16M/M (Ref # 11)	92024-076	1
NUT,LOCK,16MM (Ref # 12)	92015-072	1
NUT,18MM (Ref # 13)	92015-075	1
WASHER,LOCK (Ref # 14)	92024-065	1
ENGINE SPROCKET,14T (Ref # 15)	13144-068	1
ENGINE SPROCKET,13T (Ref # 15)	13144-1017	1
COLLAR,ENGINE SPROKET (Ref # 16)	92027-1053	1
"O" RING (Ref # 17)	92055-035	1
SHAFT,OUTPUT (Ref # 18)	13128-043	1
2ND GEAR,OUTPUT SHAFT (Ref # 19)	13131-054	1
WASHER-PLAIN (Ref # 20)	92022-198	1
CIRCLIP,25MM (Ref # 21)	92033-025	1
4TH GEAR,OUTPUT SHAFT (Ref # 22)	13135-036	1
WASHER-LOCK (Ref # 23)	92024-039	1
3RD GEAR,OUTPUT SHAFT (Ref # 24)	13133-043	1
TOP GEAR,OUTPUT SHAFT (Ref # 25)	13137-041	1
LOW GEAR,OUTPUT SHAFT (Ref # 26)	13129-060	1
WASHER,PLAIN (Ref # 27)	92022-280	1
WASHER,PLAIN (Ref # 28)	92022-281	1

1977 KE250 PARTS LIST

TRANSMISSION

ITEM NAME	PART NUMBER	QUANTITY
BEARING-NEEDLE (Ref # 29)	92046-1184	1
CIRCLIP,16MM (Ref # 30)	92033-032	1
WASHER-THRUST (Ref # 31)	92022-197	1
IDLE GEAR 28T (Ref # 32)	13073-012	1
CIRCLIP 16MM (Ref # 33)	480J1600	1