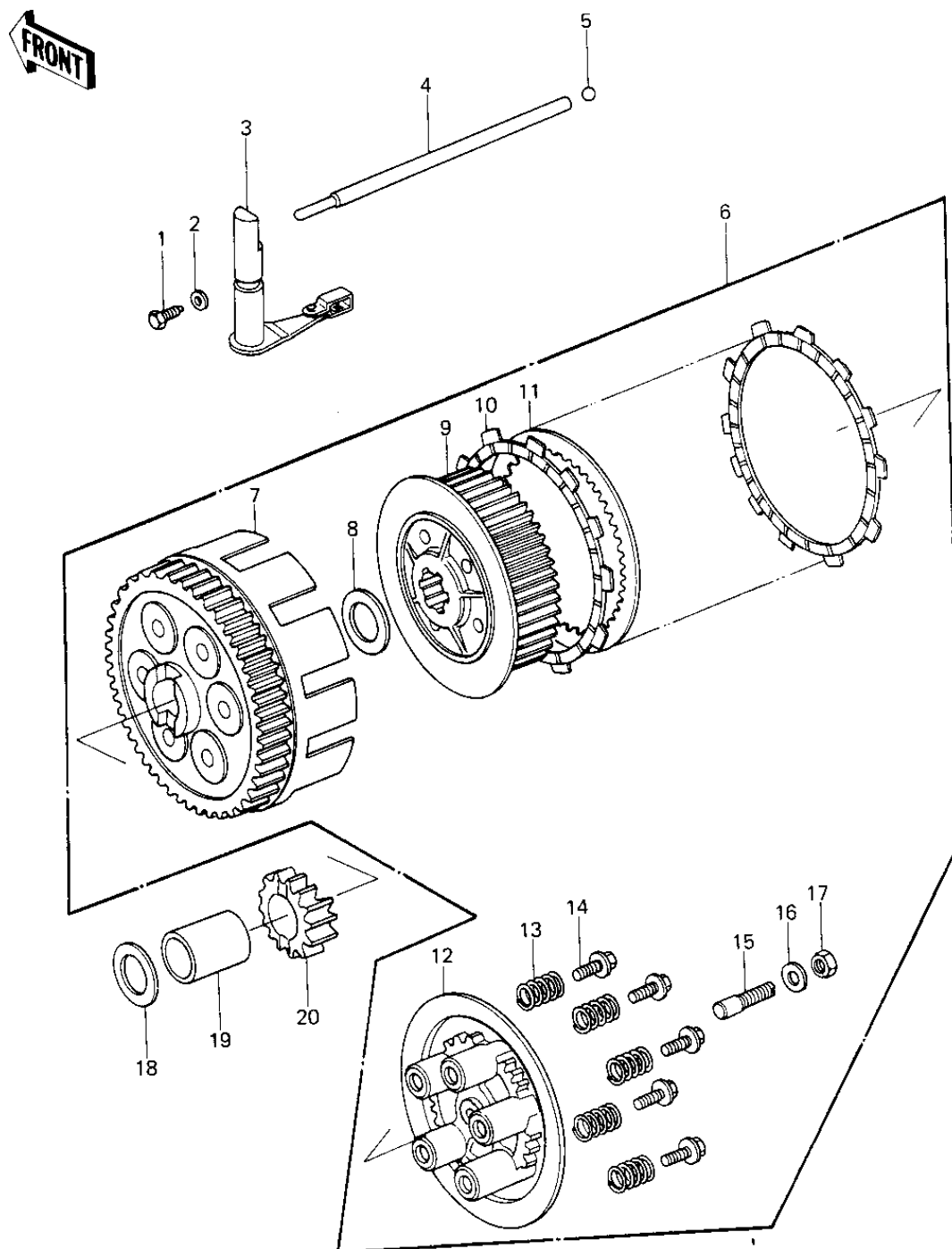


1977 KE250 PARTS DIAGRAM

CLUTCH



1977 KE250 PARTS LIST

CLUTCH

| ITEM NAME | PART NUMBER | QUANTITY |
|----------------------------------|-------------|----------|
| BOLT,CLUTCH RELEASE (Ref # 1) | 92003-130 | 1 |
| GASKET,R.H ENG COVER (Ref # 2) | 92065-092 | 1 |
| LEVER,CLUTCH RELEASE (Ref # 3) | 13102-026 | 1 |
| ROD,CLUTCH PUSH (Ref # 4) | 13116-034 | 1 |
| BALL-STEEL,11/32" (Ref # 5) | 600A1100 | 1 |
| CLUTCH-ASSY (Ref # 6) | 13081-086 | 1 |
| HOUSING,CLUTCH (Ref # 7) | 13095-055 | 1 |
| WASHER,CLUTCH THRUST (Ref # 8) | 92022-282 | 1 |
| HUB,CLUTCH (Ref # 9) | 13087-044 | 1 |
| PLATE,CLUTCH FRICTION (Ref # 10) | 13088-041 | 1 |
| PLATE,CLUTCH,STEEL (Ref # 11) | 13089-1005 | 1 |
| PLATE-CLUTCH OPERATIN (Ref # 12) | 13187-1009 | 1 |
| SPRING,CLUTCH (Ref # 13) | 92081-155 | 1 |
| BOLT,CLUTCH SPR FITT (Ref # 14) | 92001-1066 | 1 |
| SCREW,SLOTTED,8X35 (Ref # 15) | 92014-017 | 1 |
| WASHER,PLAIN,8M/M (Ref # 16) | 92022-063 | 1 |
| NUT 8MM (Ref # 17) | 318B0800 | 1 |
| WASHER,CLUTCH (Ref # 18) | 92022-031 | 1 |
| BUSHING,CLUTCH (Ref # 19) | 92028-150 | 1 |
| PINION,KICK GEAR 16T (Ref # 20) | 13075-011 | 1 |