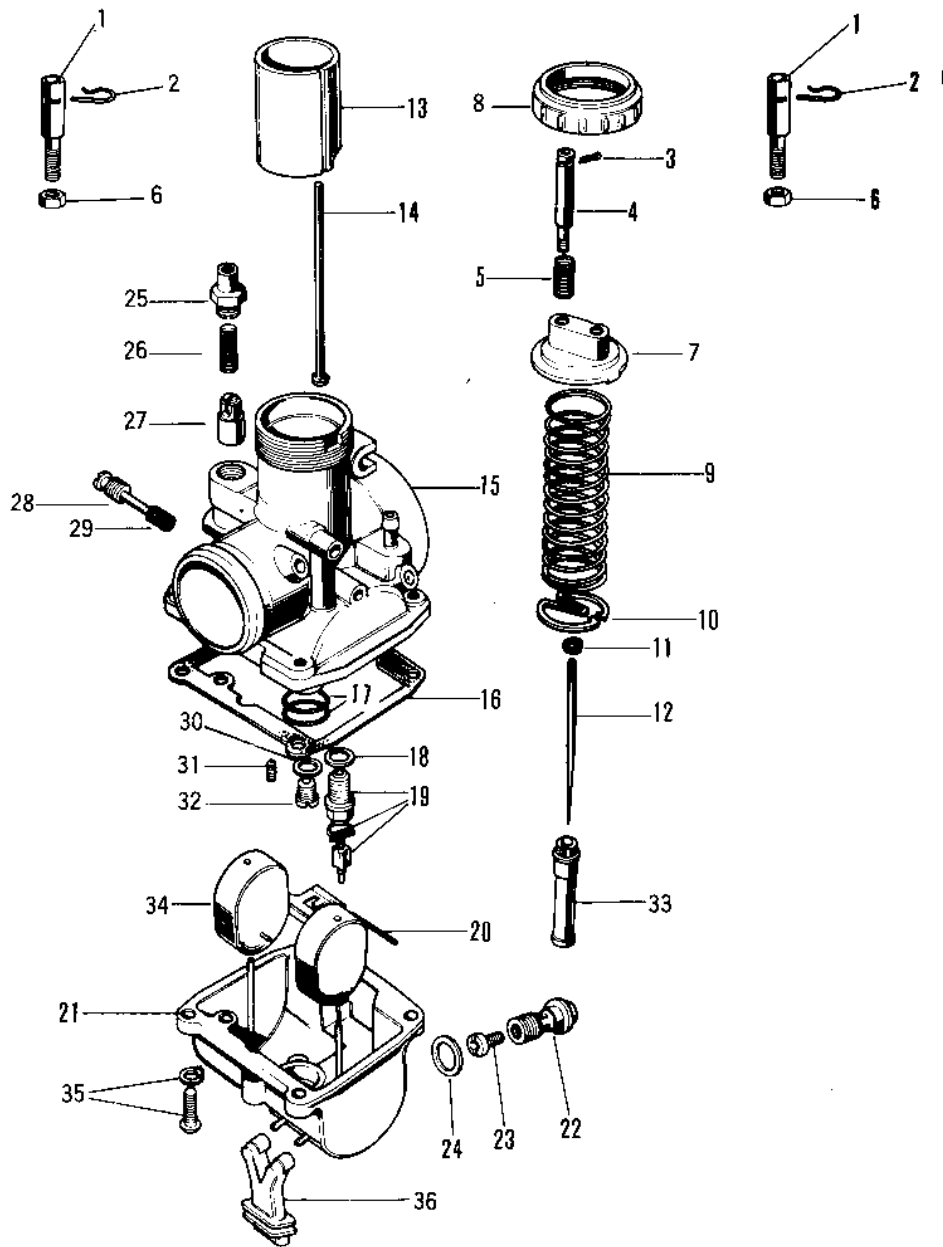


1972 PARTS DIAGRAM

CARBURETOR ('71 F81M)



1972 PARTS LIST

CARBURETOR ('71 F81M)

ITEM NAME	PART NUMBER	QUANTITY
ADJUSTER-CABLE (Ref # 1)	92120-001	1
CIRCLIP (Ref # 2)	92036-018	1
CARBURETOR ASSY (Ref # 3~34)	16001-127	1
PIN COTTER 1.6X10 (Ref # 3)	550D1610	1
SCREW-THROTTLE STOP (Ref # 4)	16021-011	1
SPRING THR STOP SCREW (Ref # 5)	16022-005	1
NUT CABLE ADJUST LOCK (Ref # 6)	16003-004	1
TOP-MIXING CHAMBER (Ref # 7)	16005-022	1
CAP-MIXING CHAMBER (Ref # 8)	16004-015	1
SPRING-THROTTLE VALVE (Ref # 9)	16006-016	1
SPRING SEAT-THRTL VLV (Ref # 10)	16007-014	1
CIRCLIP (Ref # 11)	16008-010	1
JET NEEDLE 5EH7 (Ref # 12)	16009-044	1
VALVE-THROTTLE (Ref # 13)	16025-033	1
ROD-THROTTLE VLV STOP (Ref # 14)	16024-011	1
GASKET-FLOAT CHAMBER (Ref # 16)	16019-015	1
'V' RING (Ref # 17)	92055-042	1
WASHER FLOAT VLV SEAT (Ref # 18)	16029-004	1
FLOAT VALVE ASSY (Ref # 19)	16030-013	1
FLOAT PIN (Ref # 20)	16032-005	1
BOLT-BANJO (Ref # 22)	92001-097	1
MAIN JET NO 130R (Ref # 23)	92063-057	1
GASKET-BANJO BOLT (Ref # 24)	16034-005	1
CAP STARTER PLUNGER (Ref # 25)	16012-004	1
SPRING-PLUNGER (Ref # 26)	16013-003	1
PLUNGER-ENRICHNER (Ref # 27)	16016-002	1
SCREW (Ref # 28)	16014-006	1
SPRING-THR STOP SCREW (Ref # 29)	16022-007	1
WASHER MAIN JET (Ref # 30)	16034-001	1

1972 PARTS LIST

CARBURETOR ('71 F81M)

ITEM NAME	PART NUMBER	QUANTITY
JET-PILOT NO 40 (Ref # 31)	92064-024	1
MAIN JET NO 2.4R (Ref # 32)	92063-102	1
NEEDLE JET (Ref # 33)	16017-053	1
FLOAT (Ref # 34)	16031-020	1
SCREW-PAN-WS-CROS (Ref # 35)	223B0414	1
GROMMET-OVERFLOW PIPE (Ref # 36)	16136-004	1