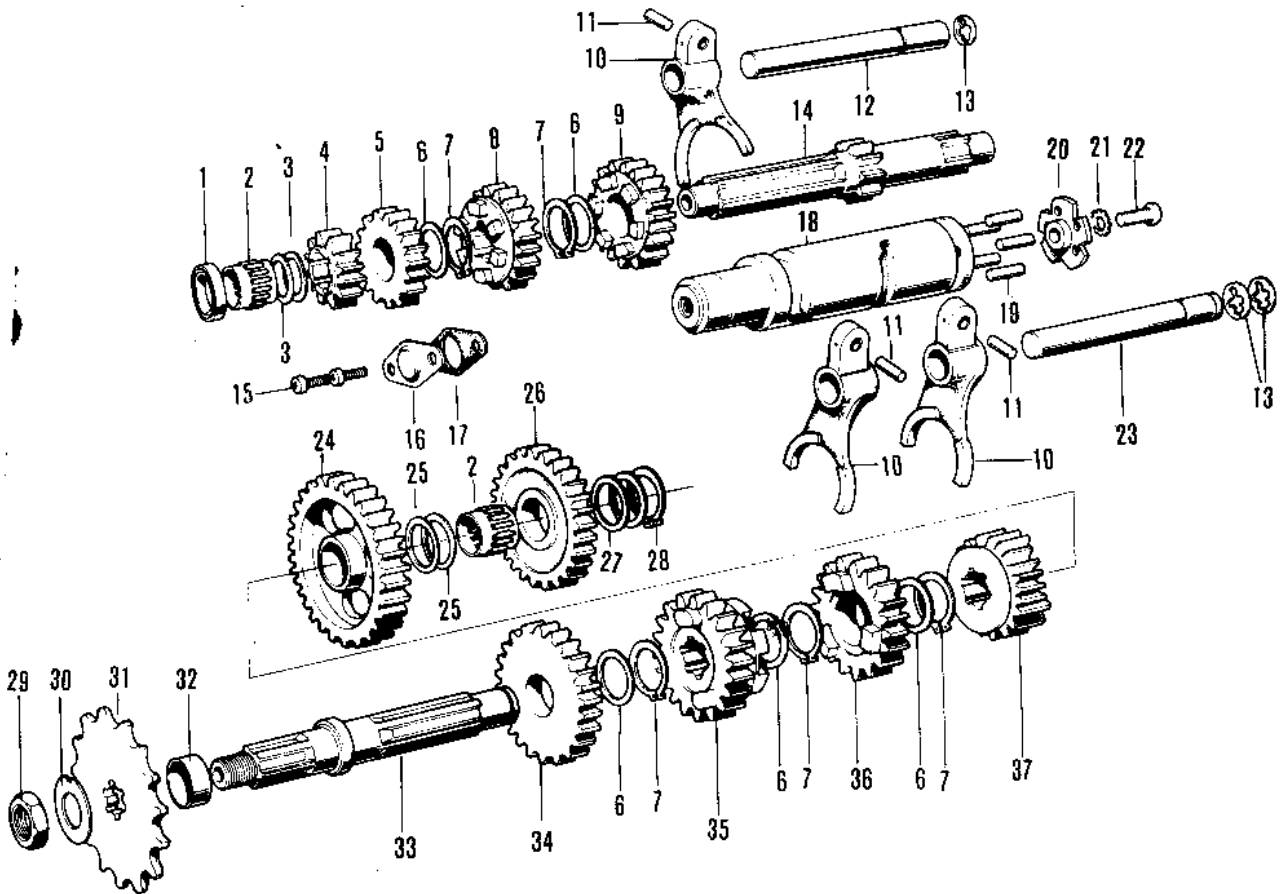


1972 PARTS DIAGRAM

TRANSMISSION/CHANGE DRUM ('71 F81M)



1972 PARTS LIST

TRANSMISSION/CHANGE DRUM ('71 F81M)

ITEM NAME	PART NUMBER	QUANTITY
OIL SEAL-CLTH PSH ROD (Ref # 1)	92050-034	1
BEARING-NEEDLE (Ref # 2)	92046-025	1
WASHER THRUST (Ref # 3)	92022-112	2
2ND GEAR-DRIVE (Ref # 4)	13130-026	1
4TH GEAR-DRIVE (Ref # 5)	13134-010	1
WASHER 25MM (Ref # 6)	92022-076	1
CIRCLIP (Ref # 7)	92033-026	1
3RD GEAR-DRIVE (Ref # 8)	13132-023	1
TOP GEAR-DRIVE (Ref # 9)	13136-033	1
FORK-SELECTOR (Ref # 10)	13140-052	1
PIN-DOWEL,8X12 (Ref # 11)	610A0812	1
ROD-SHIFT (Ref # 12)	13209-003	1
CIRCLIP 10MM (Ref # 13)	482J0100	1
SHAFT-DRIVE (Ref # 14)	13127-025	1
SCREW PAN HEAD 6X16 (Ref # 15)	220B0616	1
PLUG-OIL PUMP-HOLE (Ref # 16)	92084-004	1
GASKET NEUTRAL SWITCH (Ref # 17)	13146-002	1
PIN-CHANGE DRUM (Ref # 19)	92042-020	1
PLATE-CHANGE DRUM PIN (Ref # 20)	13142-010	1
WASHER LOCK 6MM (Ref # 21)	464H0600	1
SCREW CNTSNK HD 6X20 (Ref # 22)	221B0620	1
ROD-SHIFT (Ref # 23)	13209-010	1
LOW GEAR-OUTPUT SHAFT (Ref # 24)	13129-042	1
WASHER THRUST (Ref # 25)	92022-113	1
IDLE GEAR-KICKSTARTER (Ref # 26)	13073-005	1
SHIM-KICK SHAFT (Ref # 27)	92022-144	1
CIRCLIP,19MM (Ref # 28)	480J1900	1
NUT 18MM (Ref # 29)	92015-019	1
WASHER,LOCK,18MM (Ref # 30)	92024-067	1

1972 PARTS LIST

TRANSMISSION/CHANGE DRUM ('71 F81M)

ITEM NAME	PART NUMBER	QUANTITY
ENGINE SPROCKET 14T (Ref # 31)	13144-017	1
COLLAR-ENG SPROKET (Ref # 32)	92027-163	1
SHAFT-OUTPUT (Ref # 33)	13128-027	1
2ND GEAR-OUTPUT (Ref # 3)	13131-031	1
4TH GEAR-OUTPUT (Ref # 35)	13135-014	1
3RD GEAR-OUTPUT (Ref # 36)	13133-023	1
TOP GEAR-OUTPUT (Ref # 37)	13137-018	1